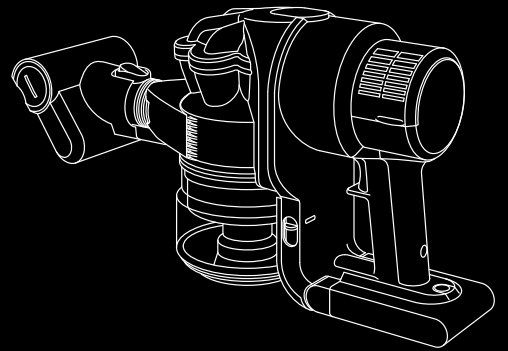
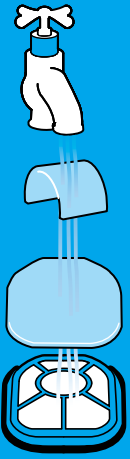


DC
16 motorhead

dyson

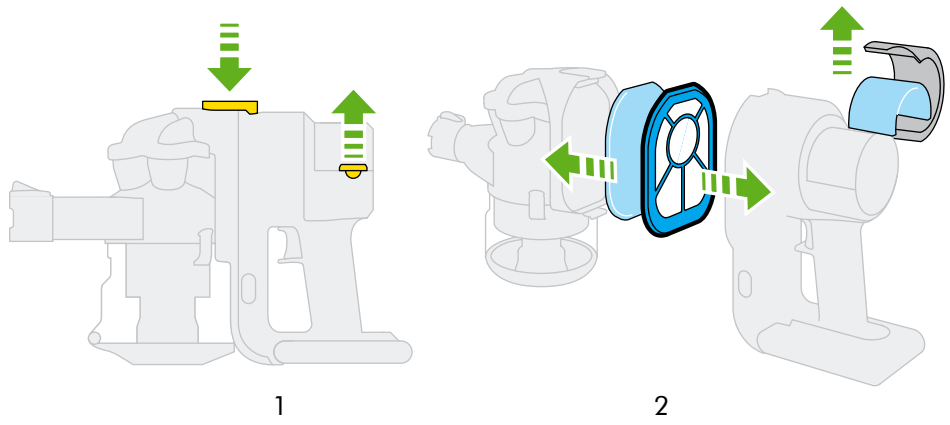


Filters

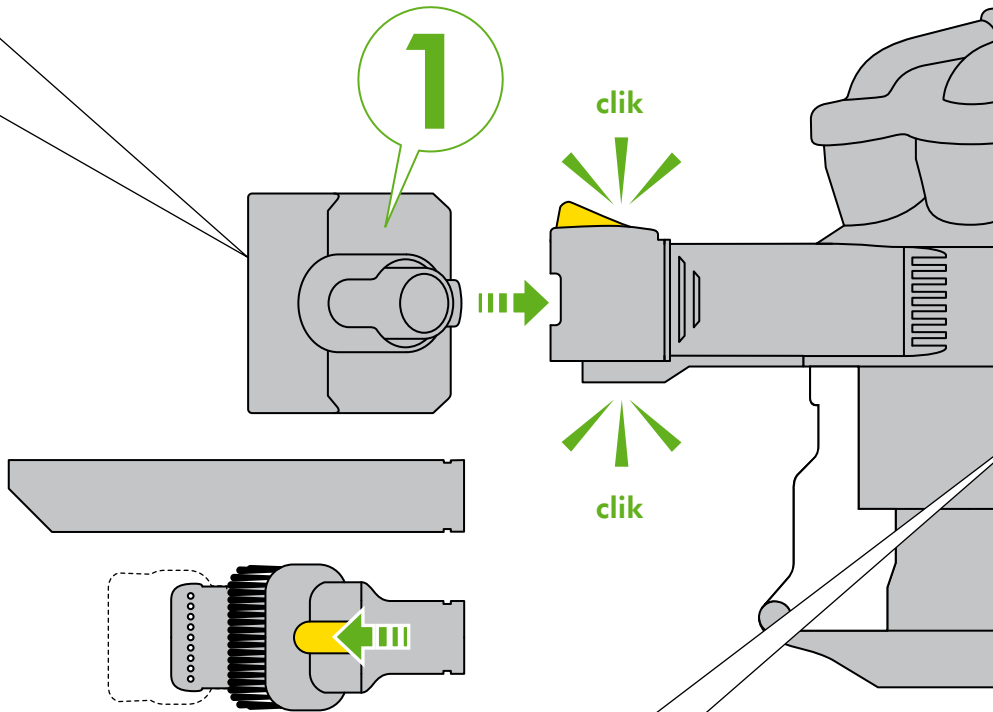
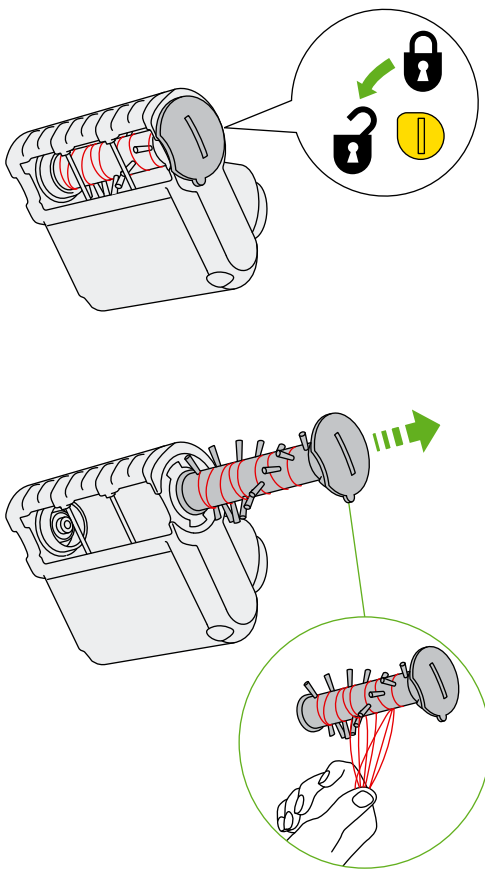


3-6

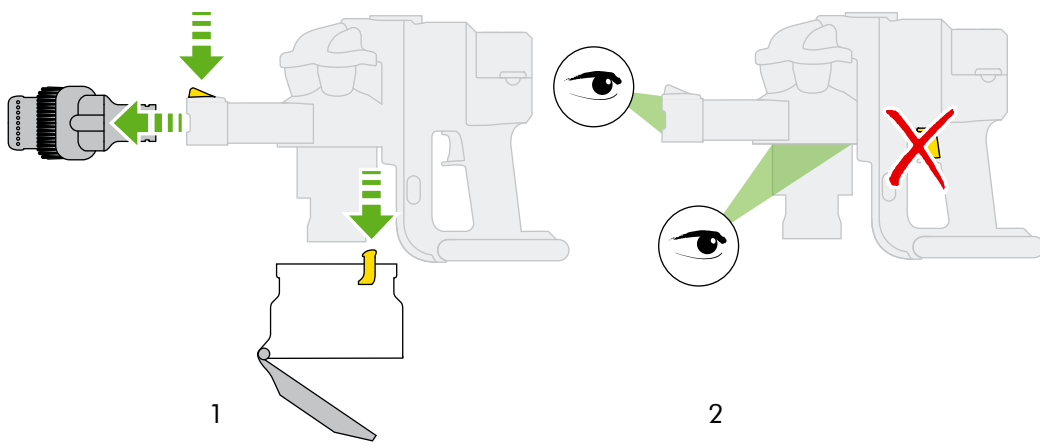
MONTHS



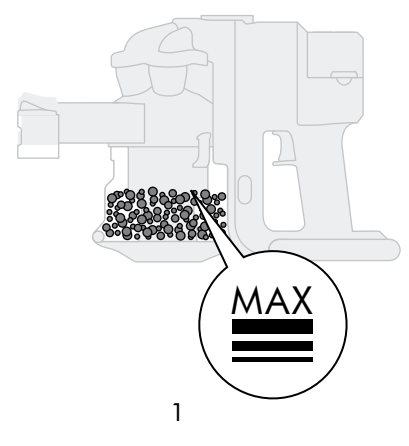
Motorhead Maintenance

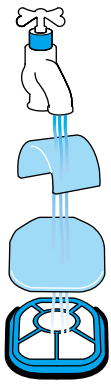


Blockages



Emptying

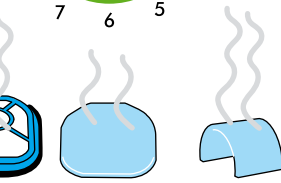
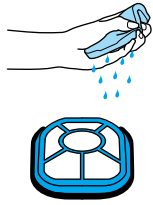




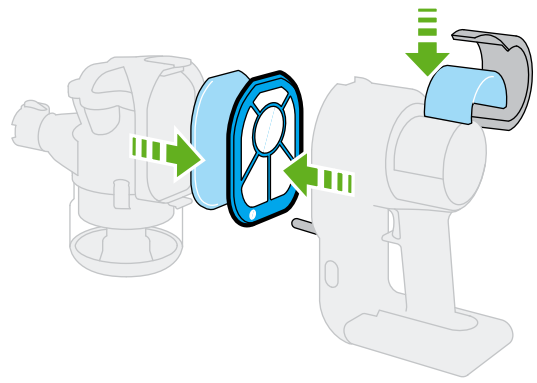
3



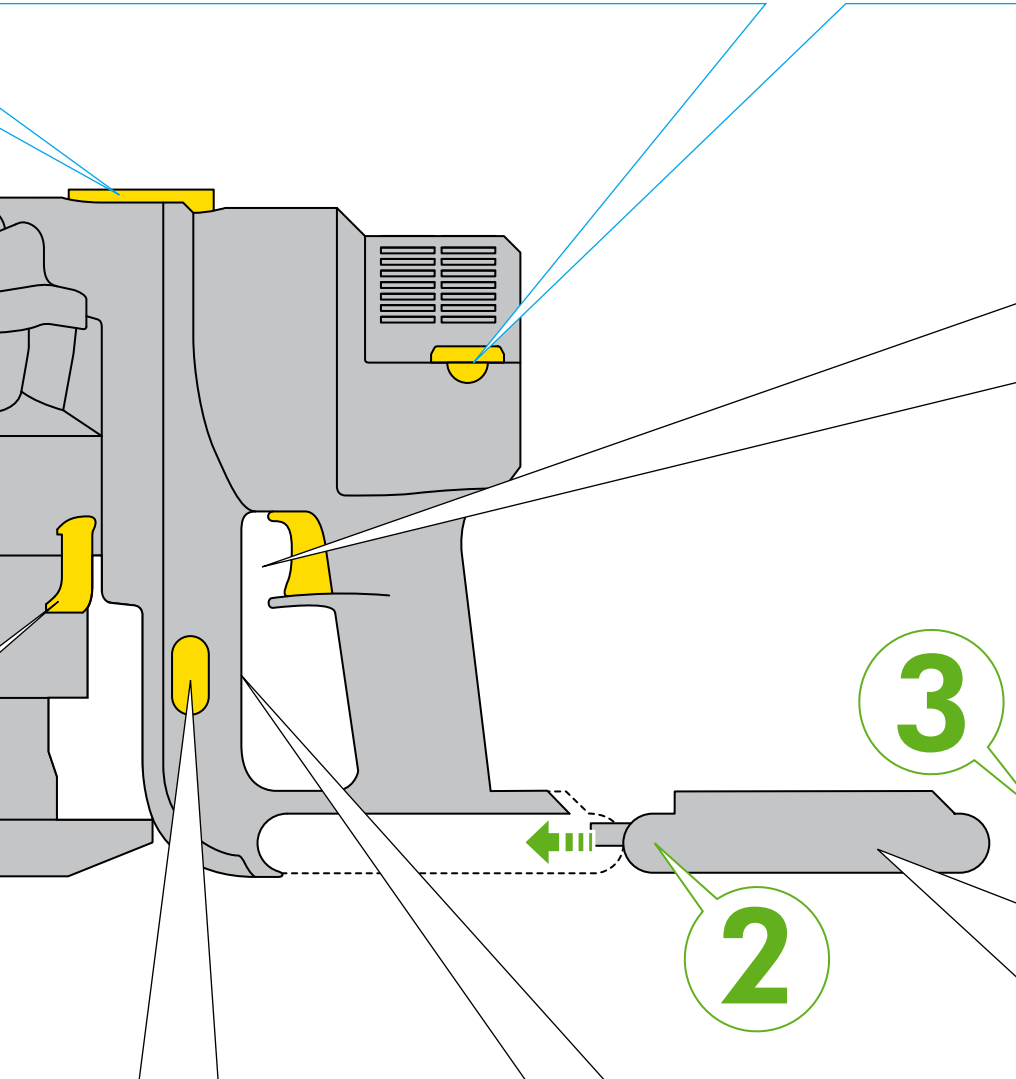
4



5



6



Power

II

06:00 mins

Storage/Charging

III

3 hrs

2

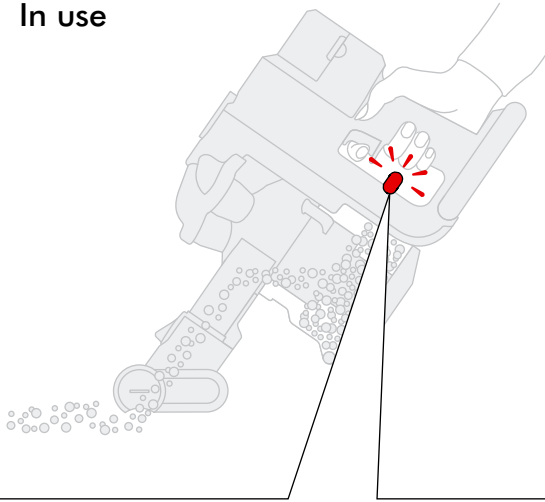
Troubleshooting

I

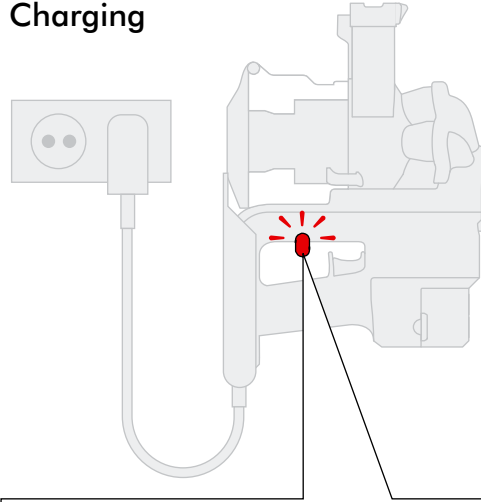
Troubleshooting

I

In use



Charging



Fully or partly charged.



Fully discharged.



Filter missing/Filter fitted incorrectly.
Check/Refit Filter.

or

Machine outside of temperature
range. Leave at room temperature
until flashing stops.



Fully charged.



Machine charging.



Battery outside of temperature range.
Remove from the charger and leave at
room temperature until red light no
longer flashes when placed in the
charger.

or

Charging fault. Remove appliance and
refit to the recharging unit.

If flashing persists call the Dyson Helpline.

II

- 1 When using the appliance, the light on the handle indicates the level of charge. A green light indicates the battery is fully or partly charged. A red light indicates the battery is fully discharged and needs charging.
- 2 The battery will become hot during use – this is normal.
- 3 The appliance will cut out immediately when the battery has run out – recharge for continued use.

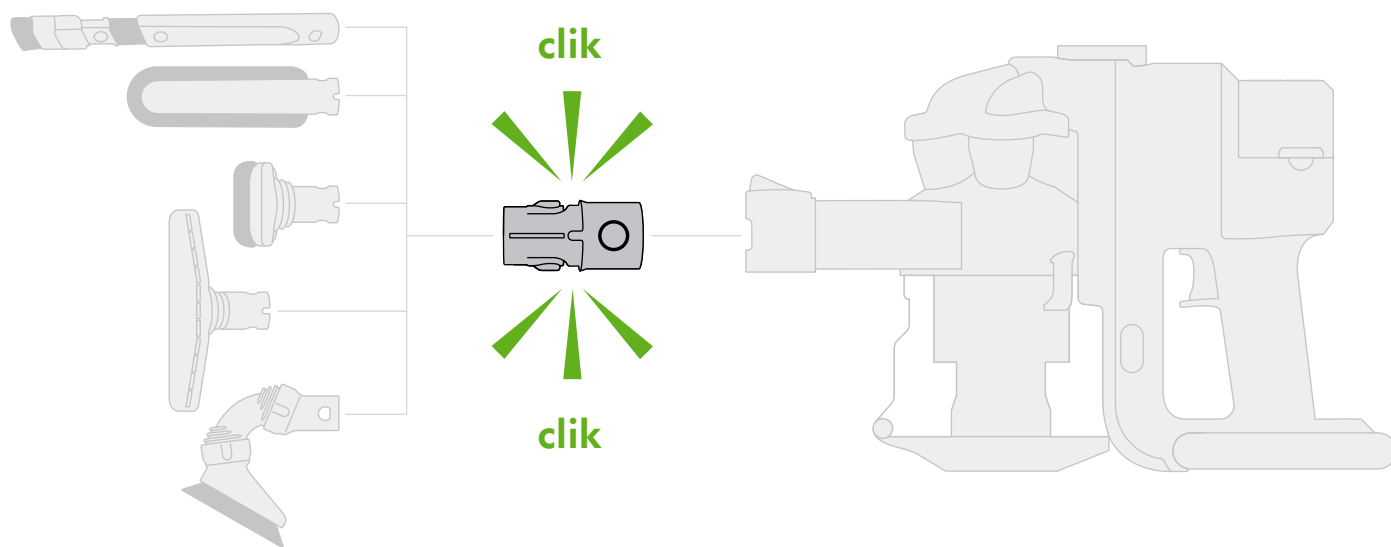
III

- 1 To ensure your appliance is always ready to use, store it on the charger.
- 2 When connected to the charger, a red light indicates the battery is charging. A green light indicates the battery is fully or partly charged. Full charging takes around 3 hours.
- 3 For optimum battery life always charge above 59°F, 15°C.

Instructions

- 1 When wall mounting the recharging unit, always use the appropriate fixings for your wall type.
- 2 Check to ensure there is no pipework or wiring directly behind the mounting/drilling area.
- 3 Fine dirt such as flour or plaster dust should only be vacuumed in very small amounts.
- 4 Do not press down on the nozzle with excessive force when using the appliance, as this may cause damage.
- 5 Ensure the appliance remains upright in use – do not hold upside down while vacuuming.
- 6 If the motor overheats, the appliance will cut out automatically. Leave to cool down for at least an hour before restarting.

Connecting tools with the adaptor.



These accessory tools are available from your local retail outlet.

Dyson Customer Care

If you have a query about your Dyson cleaner call the Dyson Helpline quoting the serial number, or contact us via the Dyson website. The serial number can be found behind the clear bin.

Most queries can be solved over the phone by one of our Helpline staff.

If your Dyson cleaner needs a service, call the Dyson Helpline so we can discuss the available options. If your machine is under warranty, and the repair is covered, it will be repaired at no cost.

Customer Care details

Any queries - just call the Dyson Helpline

AU : 1800 239 766 (Mon-Fri 8:00am to 6pm EST, Sat-Sun 8:30am to 4.00pm EST)

www.dyson.com.au

ID : 021 707 39766 (Mon-Fri 9:00am to 5:00pm)

www.dyson.com

NZ : 0800 397 667 (Mon-Fri 8:30am to 5:00pm)

www.dyson.co.nz

SG : 7000 435 7546 (Mon-Fri 9:00am to 6pm, Sat 9:00am to 1:00pm,
closed on Sunday and public holidays)

www.dyson.com.sg

Thank you for choosing to buy a Dyson

To help us ensure you receive prompt and efficient service, please register as a Dyson owner by completing the enclosed form and returning it to us by mail.

IMPORTANT SAFETY INSTRUCTIONS

READ ALL INSTRUCTIONS BEFORE USING THIS APPLIANCE

When using an electrical appliance, basic precautions should always be followed, including the following:

WARNING

TO REDUCE THE RISK OF FIRE, ELECTRIC SHOCK OR INJURY:

- 1 Unplug the charger from electrical outlet before servicing. Do not charge outdoors.
- 2 Do not use the appliance on wet surfaces or to vacuum water or other liquids – electric shock and personal injury could occur. For dry usage only. Do not put the appliance or charger in water or other liquid.
- 3 This appliance is not intended for use by children or persons with reduced physical, sensory or mental capabilities, or lack of experience and knowledge, unless they have been given supervision or instruction concerning use of the appliance by a person responsible for their safety.
- 4 Children should not play with the appliance.
- 5 Use only as described in this manual. Use only with Dyson recommended attachments and accessories, and replacement parts.
- 6 Check to ensure your electricity supply corresponds to that shown on the rating plate, which can be found on the charger. The charger must only be used as rated.
- 7 If the appliance is not functioning properly, has been dropped, damaged, left outdoors, or immersed in liquid, contact the Dyson Helpline immediately.
- 8 Do not use the appliance with a damaged cord or plug. Do not pull or carry the charger by the cord; keep the cord away from heated surfaces and open flames. Do not pull the cord around sharp edges or corners.
- 9 Do not unplug by pulling on the cord. To unplug, grasp the plug, not the cord. Do not allow the cord to hang over the edge of a table or counter.
- 10 Do not attempt to use the charger or battery with any other product; do not attempt to charge the appliance with any other charger. Use only the charger and battery supplied by the manufacturer. The charger should be placed or mounted away from sinks or hot surfaces.
- 11 Do not handle the plug or appliance with wet hands.
- 12 Do not use the appliance without the clear bin and filters in place.
- 13 Do not put any object into openings in the appliance. Do not use with any opening blocked; keep free of dust, lint, hair and anything that may reduce air flow.
- 14 Keep hair, loose clothing, fingers, and all parts of body away from openings in the appliance and moving parts.
- 15 Do not use the appliance to pick up sharp hard objects, small toys, pins, paper clips, etc., as they may cause damage.
- 16 Use extra caution when cleaning stairs.
- 17 Turn off all controls before unplugging.
- 18 This appliance is intended for domestic use only and not for commercial or industrial use.
- 19 Do not pick up anything that is burning or smoking, such as cigarettes, matches or hot ashes. Do not use on or near hot surfaces.
- 20 Do not use to pick up flammable or combustible liquids, such as gasoline, or use in areas where they may be present. Do not use the appliance near heated surfaces and/or near naked flames.
- 21 Do not use while car is in motion or while driving.
- 22 When vacuuming, certain carpets may generate small static charges in the clear bin. These are not associated with the electricity supply. To minimise any effect from this, do not put your hand or insert any object into the clear bin unless you have first emptied it and rinsed it out with cold water, and dried it again.
- 23 Do not carry out any maintenance or repair work other than that shown in this manual or advised by the Dyson Helpline.
- 24 Do not use with turbine tools.
- 25 This appliance is designed for domestic indoor and car use only. It should not be used, stored or charged outdoors.



The battery is a sealed unit and under normal circumstances poses no safety concerns. In the unlikely event that liquid leaks from the battery **do not** touch the liquid and observe the following precautions:

Skin contact - can cause skin irritation. Wash with soap and water.

Inhalation - can cause respiratory irritation. Provide fresh air and seek medical advice.

Eye contact - can cause eye irritation. Immediately flush eyes thoroughly for at least 15 minutes. Seek medical attention.

Disposal – wear gloves to handle the battery and dispose of immediately following local ordinances or regulations.

CAUTION – The battery used in this device may present a risk of fire or chemical burn if mistreated. Do not disassemble, heat above 212°F (100°C), or incinerate. Only replace battery with genuine Dyson parts. Use of another battery may present a risk of fire or explosion. Dispose of used battery promptly. Keep away from children. Do not disassemble and do not dispose of in fire.



Remove battery pack for disposal.

Do not dispose of battery pack in normal household waste.

Dispose of battery pack safely in accordance with local regulations.



Do not use near naked flame.



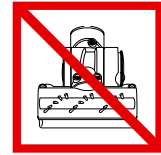
Do not use near heat source.



Do not pick up water or liquids.



Do not pick up burning objects.



Do not use with turbine tools.

This product is protected by the following intellectual property rights: Patent/Patent Application numbers:

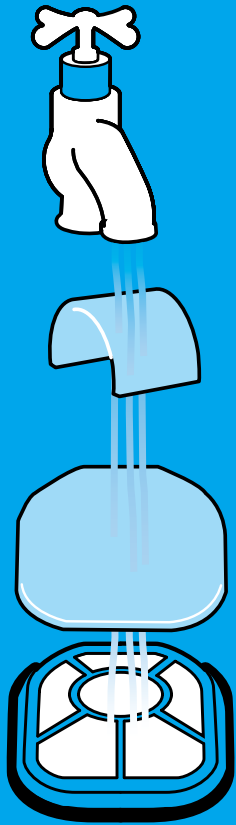
Patent/Patent Application Nos:

CA 2,439,032; AU 2002-229966; EP 1361812; JP 2004-537336; US 2004/0128789; GB 2407784; WO 2005/053855; AU 2002226556; CA 2,439,250; EP 1370172; JP 2004-528876; US 2004-0074213; AU 2002225207; CA 2,438,069; EP 1361814; JP 2004-520137; US 2004-0112022; AU 2001240894; EP 1268076; JP 2003-528704; US 6,835,222; AU 2002-225232; CA 2,438,079; EP 1361815; JP 2004-520139; US 6,974,488; AU 637 272; EP 0636338; JP 1948 863; US 5,078,761; GB2413974; WO 2005/110608; AU 2003-202714; CA 2,476,428; EP 1474242; GB 2385292; JP 2003-567583; US 2005-010229892; GB 0614238.4; GB 0614235.0; GB 0614237.6

Designs/Design Applications:

GB 3025398; GB 3025399; GB 3025400; GB 3025401; GB 3025402; GB 3025403; GB 3025404; AU 313229; CA 118694; CN 200730001389.2; JP 2007-602; KR 30-2006-0050978; MY 07-00058-0101; RU 2007500128; US 29/271,387; AU 313284; CA 118696; JP 2007-603; KR 30-2006-0050979; US 29/271,386; AU 313208; CA 118695; JP 2007-604; KR 30-2006-0050980; US 29/271,388; AU 15953/2006; CA 118699; JP 2007-605; KR 30-2006-0050981; MY 07-00059-0101; RU 2007500130; US 29/271,389; ED 000651849-0001; AU 15952/2006; CA 118697; JP 2007-389; KR 30-2006-0050982; US 29/271,390; AU 313281; CA 118698; CN 200730001387.3; JP 2007-390; KR 30-2006-0050983; US 29/271,391; CN 200730001386.9; MY 06-00996; RU 2007500131; CN 20073001385.4; MY 06-00996; RU 2007500129; CN 200730001384; MY 06-00995; RU 2007500132

Please note: Small details may vary from those shown.



Very important

3-6

Months

Remember

Wash your filters at least every 3-6 months based on individual vacuuming habits.



AU Dyson Customer Care
customercare@dyson.com.au
1800 239 766
(Mon-Fri 8:00am to 6:00pm EST, Sat-Sun 8:30am to 4:00pm EST)
Dyson Appliances (Aust) Pty Ltd, PO Box 2175, Taren Point,
Australia, NSW 2229

ID Indonesia Service Centre
021 707 39766
(Mon-Fri 9:00am to 5:00pm)
PT.Higienis Indonesia
Permata Plaza Top floor TF-04
Jl. M. H. Thamrin Kav. 57, Jakarta 10350

NZ Dyson Customer Care
dyson@averyrobinson.co.nz
0800 397 667
(Mon-Fri 8:30am to 5:00pm)
Avery Robinson Ltd, Unit F, 151D Marua Road,
Ellerslie, Auckland

SG Dyson Customer Care
singapore@dyson.com
7000 435 75 46
(Mon-Fri 9:00am to 6:00pm, Sat 9:00am to 1:00pm, closed on
Sunday and public holidays)
Dyson Singapore Pte Ltd, 2 Leng Kee Road,
04-09A Thye Hong Centre, Singapore 159086