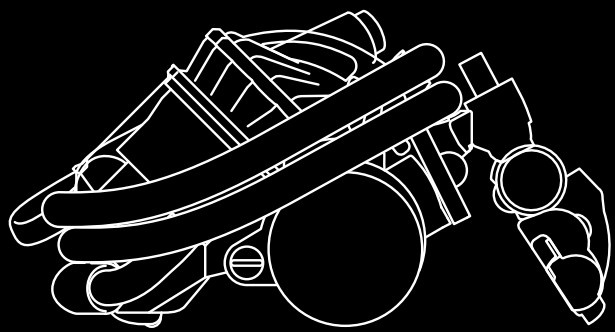


dyson stowaway

DC
23 motorhead

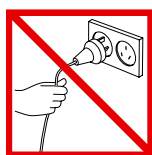


⚠ GENERAL SAFETY PRECAUTIONS ⚠

READ ALL INSTRUCTIONS BEFORE USING THIS VACUUM CLEANER

When using an electrical appliance, basic precautions should always be followed, including the following:

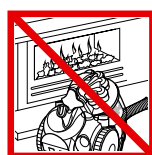
- 1 This machine is for domestic use only. **Do not** use outdoors or on wet surfaces.
- 2 **Do not** handle plug or appliance with wet hands.
- 3 **Do not** allow to be used as a toy. Close attention is necessary when used by or near children.
- 4 **Do not** use with damaged cable or plug. If the supply cable is damaged, it must be replaced by Dyson's authorized Service centres.
- 5 If the vacuum cleaner is not functioning properly, has been dropped, damaged, left outdoors, or immersed in liquid, do not use, contact the Dyson Helpline.
- 6 **Do not** use the cleaner if any parts appear to be faulty, missing or damaged.
- 7 Ensure all parts including clear bin™ are securely attached before using or carrying the machine.
- 8 This appliance is not intended for use by persons (including children) with reduced physical, sensory or mental capabilities, or lack of experience and knowledge, unless they have been given supervision or instruction concerning use of the appliance by a person responsible for their safety. Children should be supervised to ensure that they do not play with the appliance.
- 9 Do not leave appliance plugged in. Unplug from outlet when not in use, and before performing user maintenance, connecting or disconnecting the hose or changing accessories.
- 10 Store the machine indoors. Put the vacuum cleaner away after use with the cable stored safely, to prevent tripping hazards.
- 11 If the machine overheats it will cut-out. It must be switched off, unplugged and allowed to cool down before attempting to check filters or for blockages.
- 12 Turn off all controls before unplugging.
- 13 **Do not** unplug by pulling on cable. To unplug, grasp the plug, not the cable.
- 14 **Do not** pull or carry by cable, use cable as a handle, close a door on cable, or pull cable around sharp edges or corners. **Do not** run appliance over cable. Keep cord away from heated surfaces.
- 15 The use of an extension cable is not recommended.
- 16 Keep hair, loose clothing, fingers, and all parts of body away from openings and moving parts, such as the brushbar.
- 17 **Do not** put any object into openings. **Do not** use with any opening blocked.
- 18 Take extra care when vacuuming on stairs; **Do not** work with the vacuum cleaner above you on the stairs.
- 19 Keep the vacuum cleaner on the floor. **Do not** put the vacuum cleaner on chairs, tables etc.
- 20 **Do not** shake the machine or press the cyclone release button while carrying the machine, or it could fall and cause injury.
- 21 **Do not** use to pick up flammable or combustible liquids, such as gasoline, or use in areas where they may be present.
- 22 **Do not** pick up anything that is burning or smoking, such as cigarettes, matches, or hot ashes.
- 23 Check to ensure your electricity supply matches that shown on the rating plate. The vacuum cleaner must only be used as rated.
- 24 Use only as described in this manual. Use only Dyson recommended attachments.
- 25 **Do not** use without clear bin™ and filters in place.
- 26 **Do not** lubricate any parts, or carry out any maintenance or repair work other than that shown in this manual, or as advised by the Dyson Helpline.



Do not pull on the cable.



Do not store near heat sources.



Do not use near naked flame.



Do not run over the cable.



Do not pick up water or liquids.



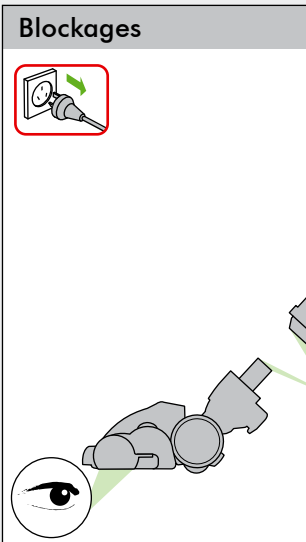
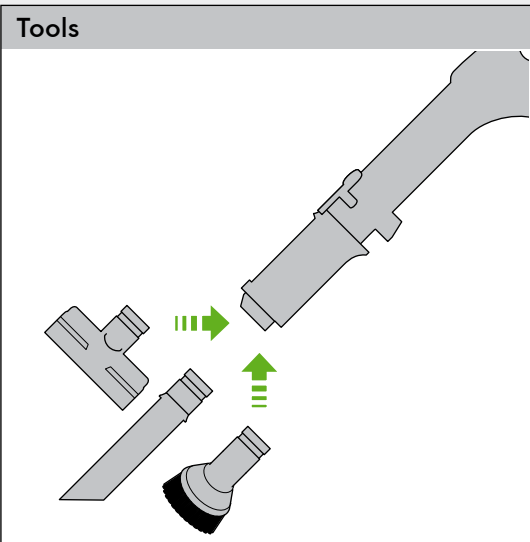
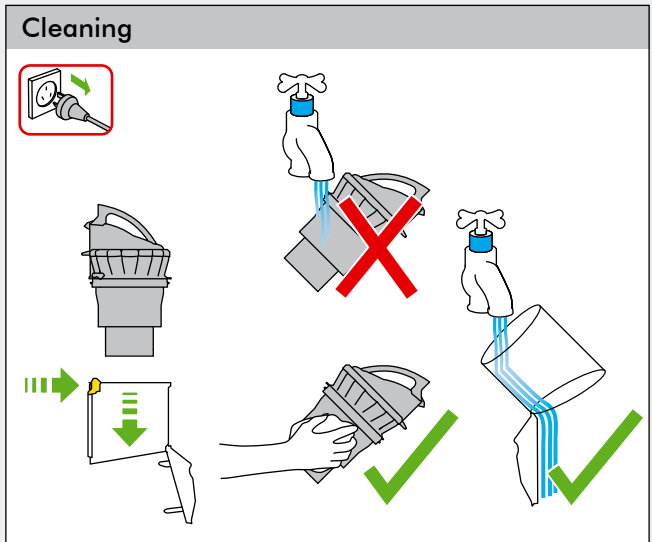
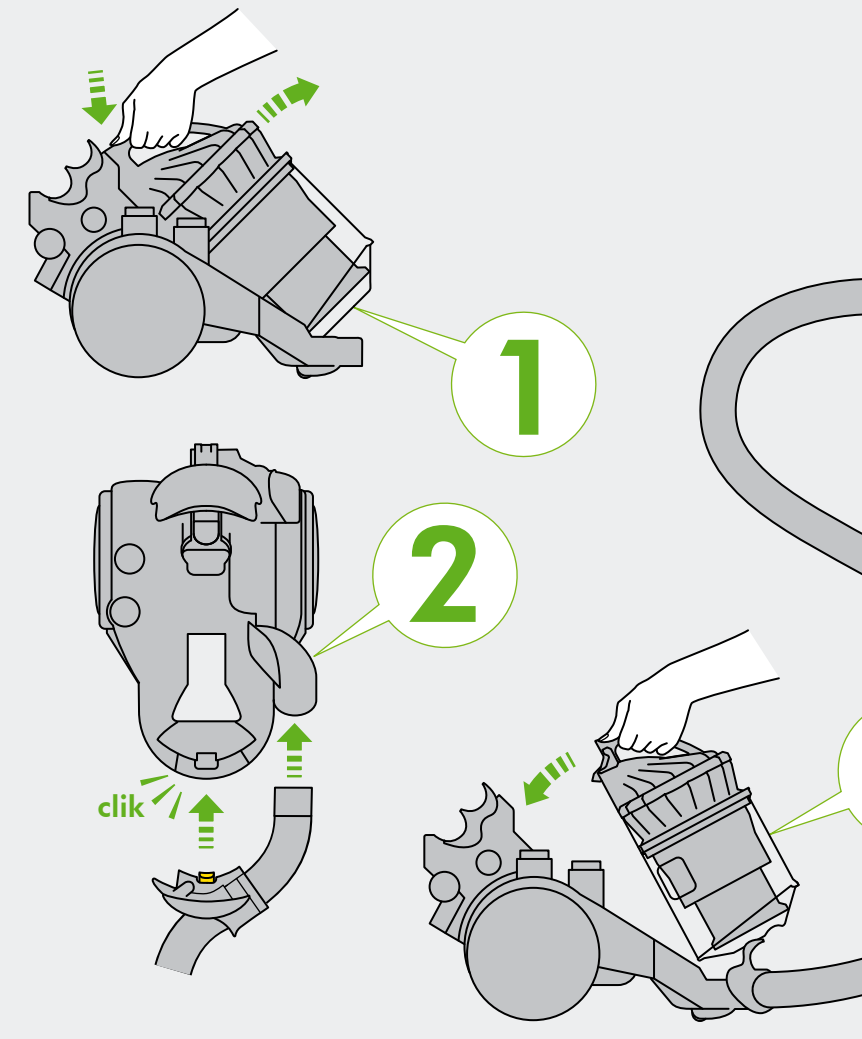
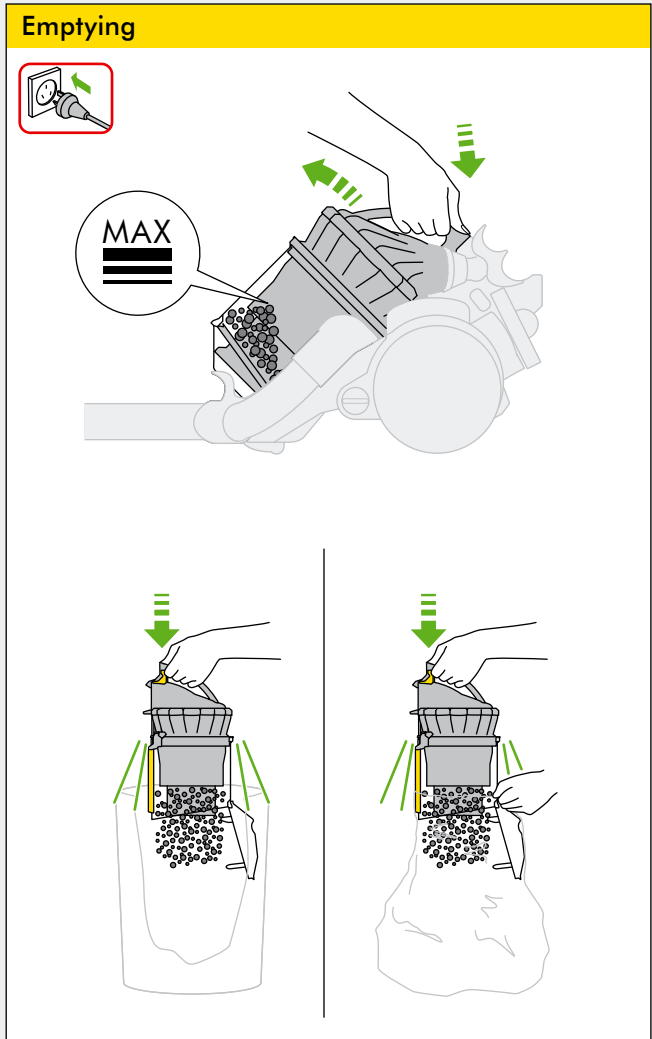
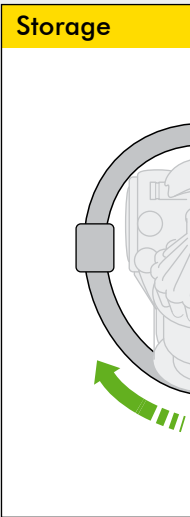
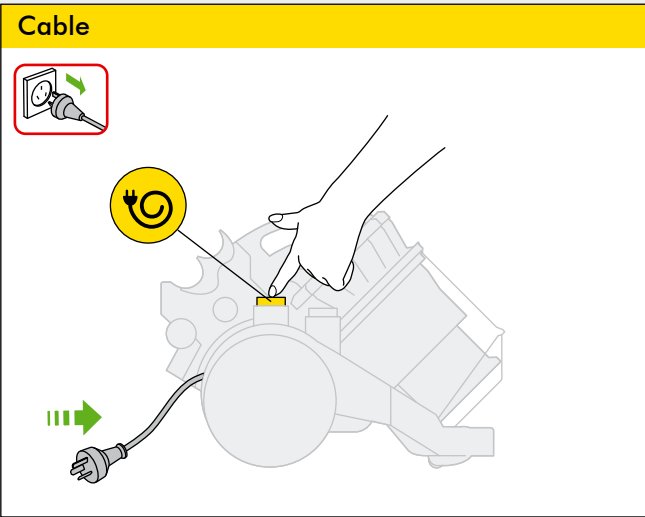
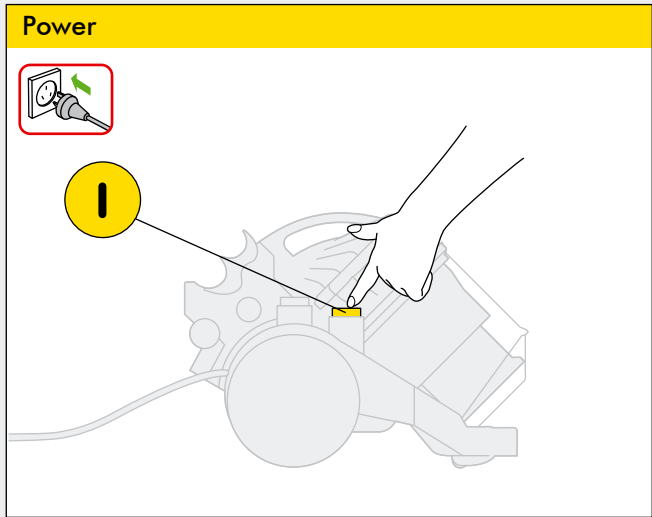
Do not pick up burning objects.

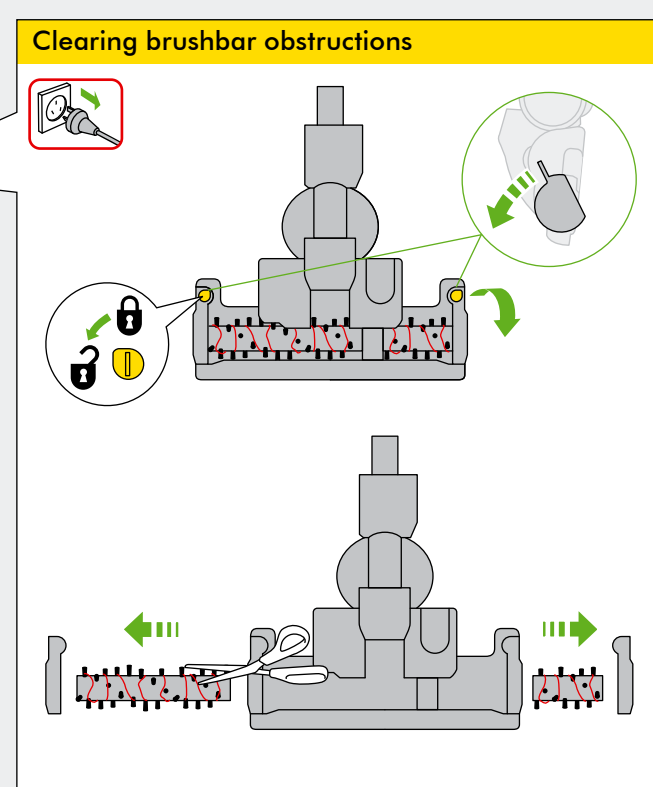
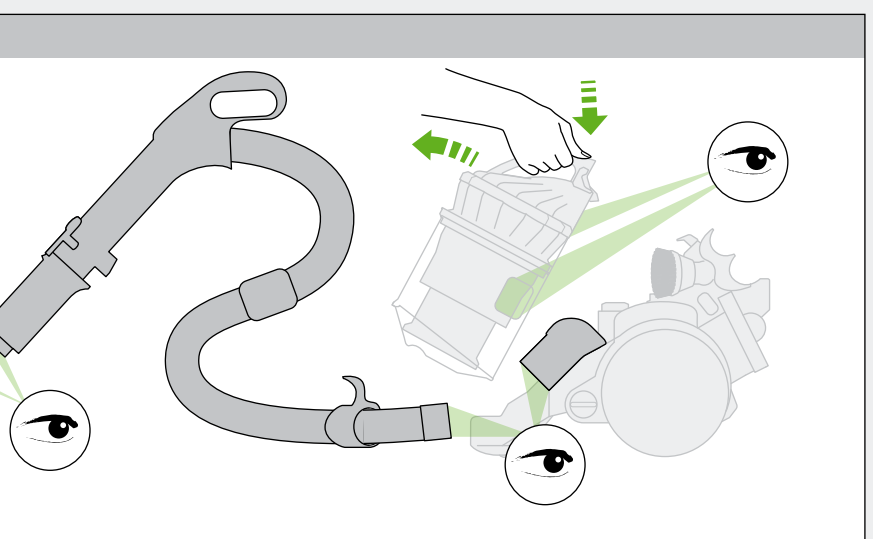
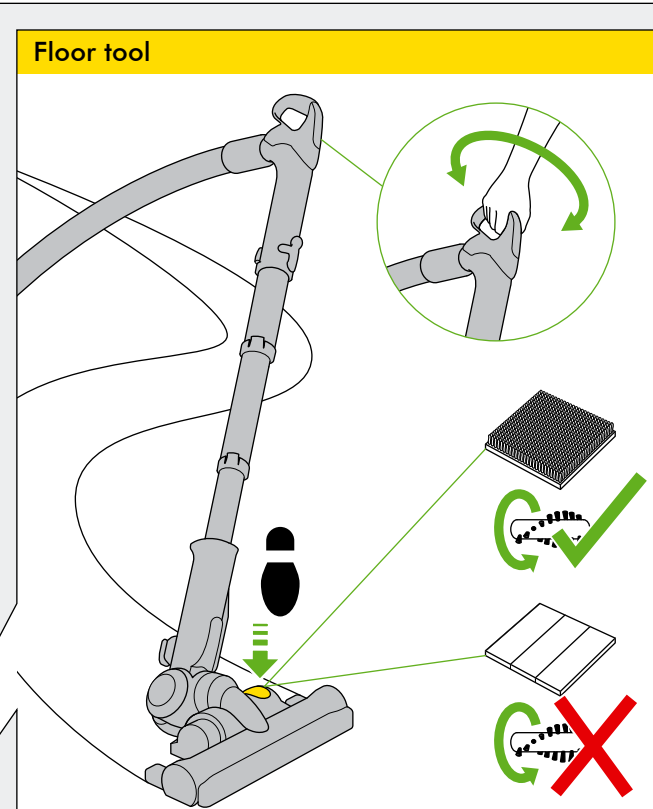
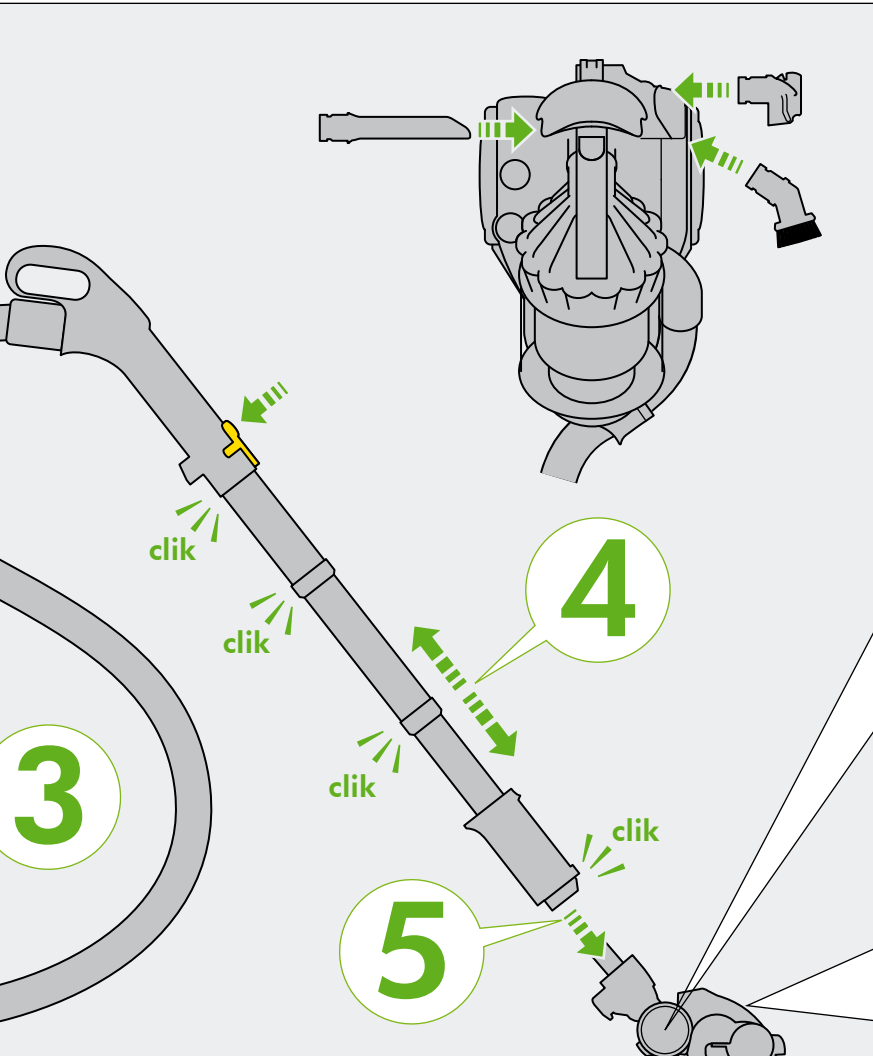
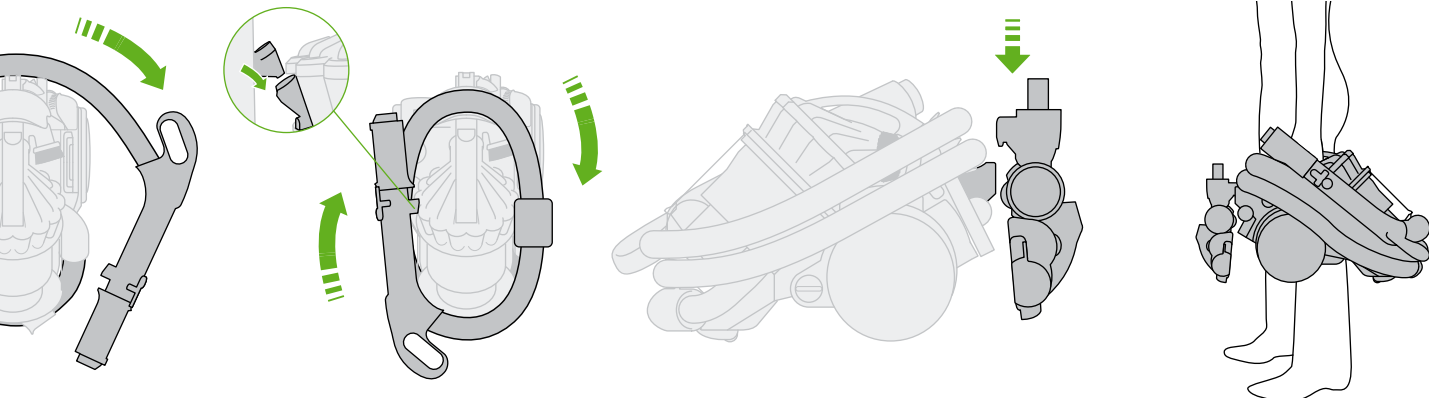


Do not use above you on the stairs.

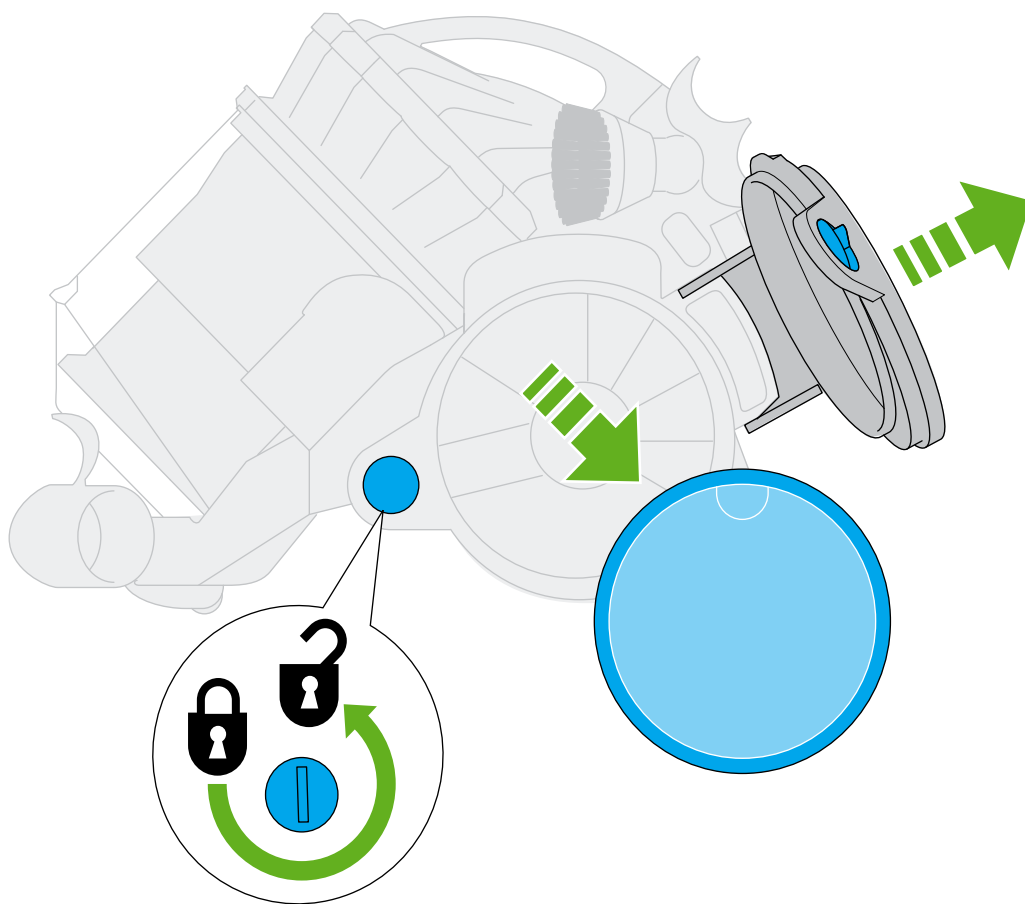
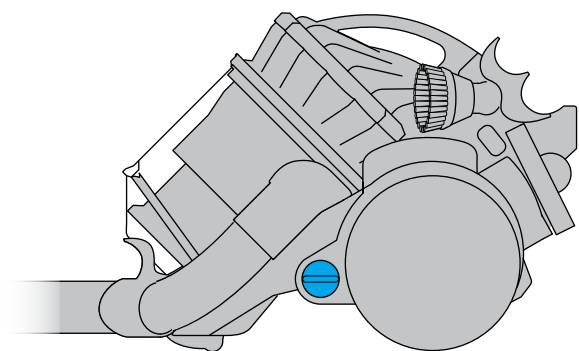


Do not put hands near the brushbar when the cleaner is in use.

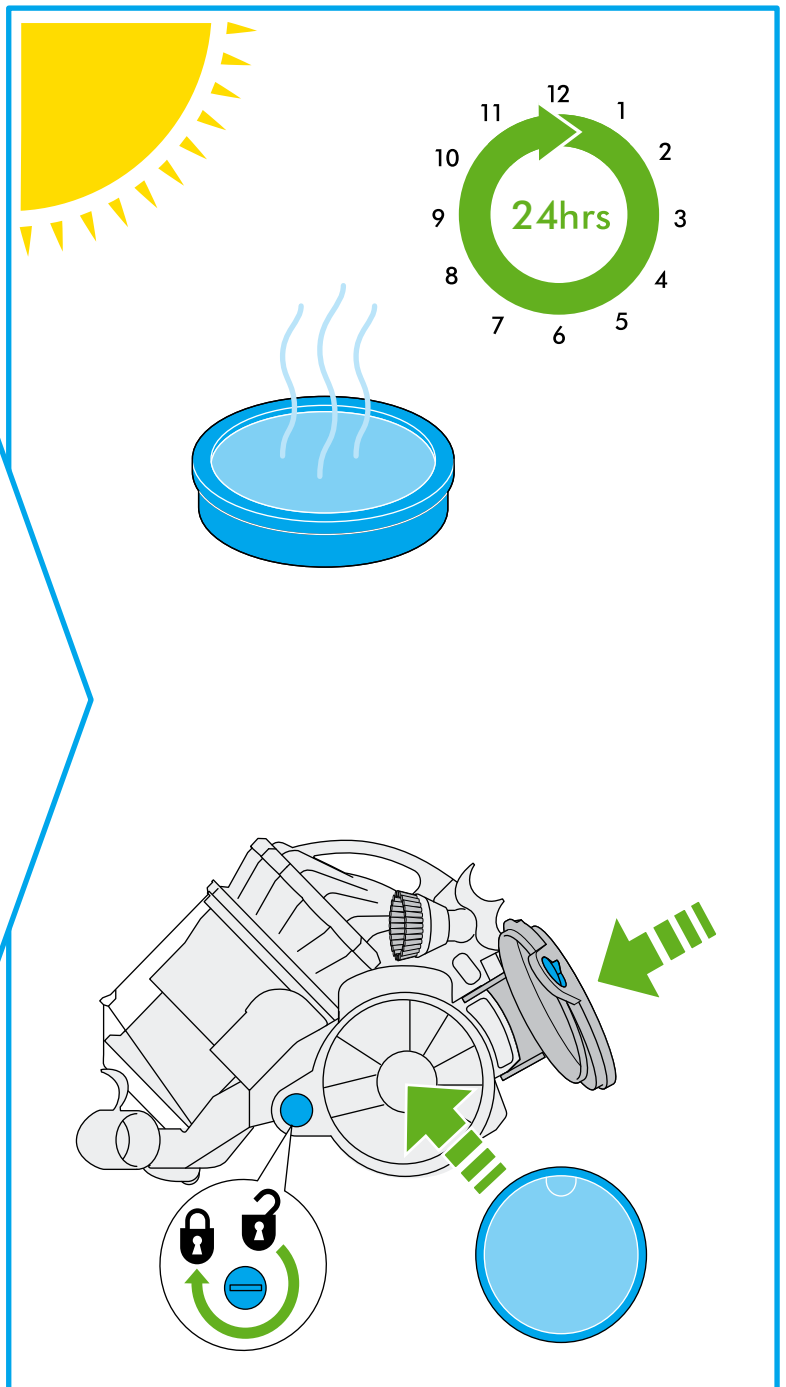
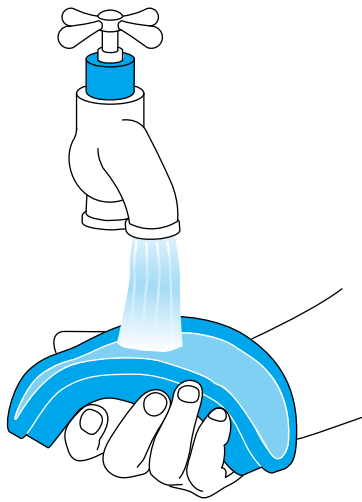




IMPORTANT! WASH FILTER



Wash your filter in cold water at least every 3 months.



Using your Dyson

Please note:

- (i) Always extend the cable fully to the red tape before use.
- (ii) Fine dust such as plaster dust or flour should only be vacuumed in very small amounts.
- (iii) **Do not** use the machine to pick up sharp hard objects, small toys, pins, paper clips etc.
- (iv) Consult your flooring manufacturer's recommended instructions before vacuuming and caring for your flooring, rugs and carpets.
- (v) If used in a garage when car cleaning, care should be taken to wipe the soleplate and wheels with a dry cloth after vacuuming to clean off any sand, dirt or pebbles which could damage delicate floors.
- (vi) When vacuuming, certain carpets may generate small static charges in the clear bin™. These are entirely harmless and are not associated with the mains supply. To minimise any effect from this, do not put your hand or insert any object into the clear bin™ unless you have first emptied it and rinsed it out with cold water.

Emptying the Clear bin™



Caution:

- (i) Switch off machine and unplug before emptying the bin.
Empty as soon as the dirt reaches the level of the MAX mark – do not overfill. To remove the clear bin™ from the machine press the button at the rear of carrying handle. To release the dirt, press the button again to open the bin.

Please note:

- (i) **Do not** use the machine without the clear bin™ in place.

Cleaning the Clear bin™



Caution:

- (i) **Do not** immerse the whole cyclone in water or pour water into the cyclones.
- (ii) Ensure the bin is completely dry before replacing.

Please note:

- (i) **Do not** use detergents, polishes or air fresheners to clean the bin. **Do not** put the bin in a dishwasher.

Washing your filter



Caution:

- (i) Switch 'OFF' and unplug before removing the filter.
- (ii) Check your filter regularly. Under normal use, wash your filter every 3 months according to instructions, to maintain performance.

Please leave to dry completely for 24 hours.

Ensure that the washable filter is completely dry before refitting into the vacuum cleaner.

Please note:

- (i) The filter may require more frequent washing if vacuuming fine dust.
- (ii) **Do not** use detergents to clean the filter.
- (iii) **Do not** put the filter in the dishwasher, washing machine, tumble dryer, oven, microwave or near an open flame.

Looking for blockages




Caution:

- (i) Switch 'OFF' and unplug the machine before checking for blockages.
- (ii) Beware of sharp objects when clearing blockages.
- (iii) Refit all parts of the machine securely before using.

Please note:

- (i) Clearing blockages is not covered by your machine's limited warranty. If any part of your machine becomes blocked, it may overheat and then automatically shut off.
Unplug the machine and leave to cool down. Clear blockage before restarting.

The symbol  on the product or on its packaging indicates that this product should not be treated as household waste. Instead it should be handed over to the applicable collection point for the recycling of electrical and electronic equipment – this may be your local civic amenity site or a facility provided by the retailer selling the product or a replacement product. By ensuring this product is disposed of correctly, you will help prevent potential negative consequences for the environment and for human health, which could otherwise be caused by inappropriate waste handling of this product. For more detailed information about recycling of this product, please contact the Dyson Helpline, your local authority civic amenity site or the retailer selling the product or a replacement product.

Conformity information

A sample of this product has been tested and found to conform with the following European Directives: 2006/95/EC Low voltage Directive, 2004/108/EC EMC Directive, 93/68/EEC CE Marking Directive.

Product information:

230 - 240V 50Hz 1400W

This product is protected by the following intellectual property rights:

Patent/Patent Application numbers:

CA 2,439,032; AU 2002-229966; EP 1361812; JP 2004-537336; US 2004/0128789; GB 2407784;
WO 2005/053855; AU 2002226556; CA 2,439,250; EP 1370172; JP 2004-528876; US 2004-0074213;
AU 2002225207; CA 2,438,069; EP 1361814; JP 2004-520137; US 2004-0112022; AU 2001240894;
EP 1268076; JP 2003-528704; US 6,835,222; AU 2002-225232; CA 2,438,079; EP 1361815; JP 2004-520139;
US 6,974,488; AU 637 272; EP 0636338; JP 1948 863; US 5,078,761; GB 2413974; WO 2005/110608;
AU 2003-202714; CA 2,476,428; EP 1474242; GB 2385292; JP 2003-567583; US 2005-010229892;
GB 2407022; JP 2004-023962; AU 2003255837; EP 1551270; GB 2392827; JP 2004-023963;
US 2004-023963; GB 0510864.2; MY PI20062350; TW 95118685; TH 0601002378; WO2006/125944;
GB 0510863.4; MY PI20062352; TH 0601002379; TW 95118686; WO 2006/125945; GB 0510862.6;
MY PI20062351; TW 95118687; TH 0601002380; WO 2006/125946; AU 2003252873; EP 1380247;
JP 2004-100960; US 2004-0111828; AU 2002233553; EP 1365676; JP 2004-524097; US 2004-0078925;
GB 0625806.5

Equivalent patents, registered designs and applications exist in other countries.

Please note: Small details may vary from those shown.

IMPORTANT!

WASH FILTERS



Wash your filter in cold water at least every 3 months.



AU Dyson Customer care
customercare@dyson.com.au
1800 239 766

Dyson Appliances (Aust) Pty Ltd., PO Box 2175, Taren Point,
Australia, NSW 2229
www.dyson.com.au

NZ Dyson Customer care
dyson@averyrobinson.co.nz
0800 397 667

Avery Robinson Ltd., Unit F, 151D Marua Road,
Ellerslie, Auckland
www.dyson.co.nz

ID Indonesia Service Centre
021 707 39766

PT. Higienis Indonesia, Permata Plaza Top floor TF-04
Jl. M. H. Thamrin Kav. 57, Jakarta 10350
www.dyson.co.id

SG Dyson Service Centre
singapore@dyson.com
7000 453 7546

Service @ Home Pte. Ltd.
2 Leng Kee Road, #04-09A Thye Hong Centre,
Singapore 159086

Dyson Customer care

If you have a question about your Dyson vacuum cleaner, call the Dyson Helpline with your serial number and details of where and when you bought the cleaner, or contact us via the Dyson website. The serial number can be found on the main body of the machine behind the clear bin™.