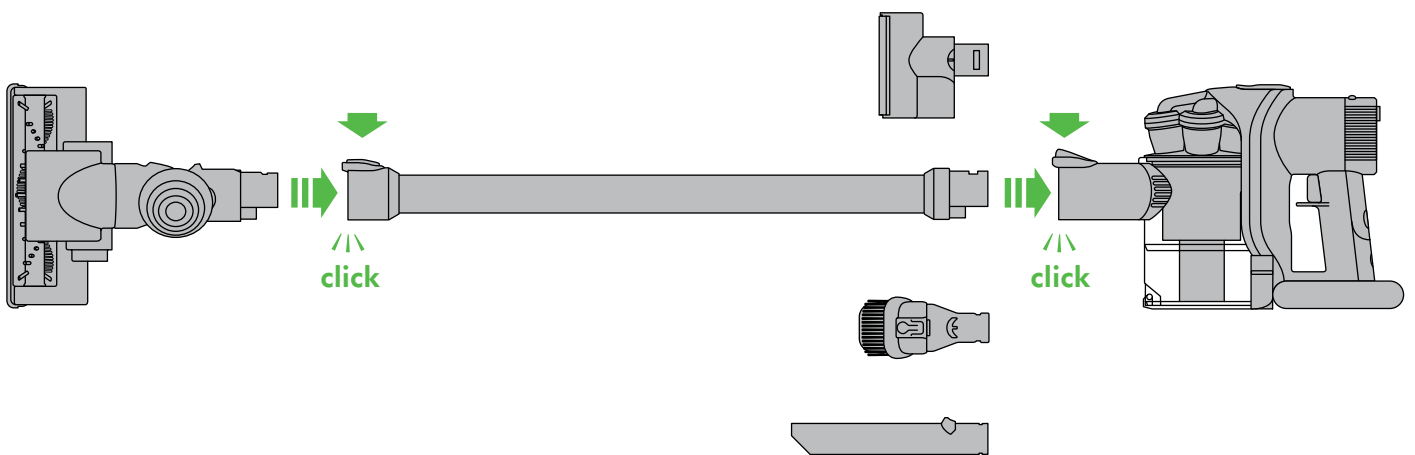


DC44 ANIMAL

ASSEMBLY



WASH FILTER

Wash your filter with cold water regularly or as required.

REGISTER YOUR DYSON 2 YEAR GUARANTEE TODAY

Charging

Fully charged

Not charging - check battery

Not charging - too cold/too hot

5.5 hrs

DYSON CUSTOMER CARE

THANK YOU FOR CHOOSING TO BUY A DYSON APPLIANCE

Your Dyson appliance will be covered for parts and labour for 2 years from the date of purchase, as detailed in the terms of the Dyson guarantee on page 9 of this Dyson Operating Manual.

If you have a query about your Dyson appliance, call the Dyson Customer Care Helpline quoting your serial number and details of where and when you bought the appliance. Your serial number can be found on your rating plate which is on the main body of the appliance behind the filter.

Most queries can be solved over the phone by one of our Dyson Customer Care Helpline staff (details below).

Visit our website to register your Dyson full parts and labour guarantee online (Australia and New Zealand only).

AU: www.dyson.com.au/register

NZ: www.dyson.co.nz/register

Note your serial number for future reference



This illustration is for example purposes only.

3 EASY WAYS TO REGISTER YOUR DYSON 2 YEAR GUARANTEE

REGISTER ONLINE



Visit our website to register your Dyson full parts and labour guarantee online (Australia and New Zealand only).

AU: www.dyson.com.au/register
NZ: www.dyson.co.nz/register

REGISTER BY PHONE



Call our dedicated Helpline.

AU 1800 239 766
NZ 0800 397 667
SG 7000 435 7546
ID 021 707 39766

REGISTER BY MAIL



Complete and return the form to Dyson in the envelope supplied.

IMPORTANT SAFETY INSTRUCTIONS

BEFORE USING THIS APPLIANCE READ ALL INSTRUCTIONS AND CAUTIONARY MARKINGS IN THIS MANUAL AND ON THE APPLIANCE

When using an electrical appliance, basic precautions should always be followed, including the following:

WARNING

TO REDUCE THE RISK OF FIRE, ELECTRIC SHOCK, OR INJURY:

THESE WARNINGS APPLY TO THE APPLIANCE, ALL TOOLS AND ACCESSORIES, AND ALSO WHERE APPLICABLE TO ANY CHARGER OR MAINS ADAPTOR.

1. This Dyson appliance is not intended for use by young children or infirm persons with reduced physical, sensory or reasoning capabilities, or lack of experience and knowledge, unless they have been given supervision or instruction by a responsible person concerning use of the appliance to ensure that they can use it safely.
2. Do not allow to be used as a toy. Close attention is necessary when used by or near young children. Children should be supervised to ensure that they do not play with the appliance.
3. Use only as described in this Dyson Operating Manual. Any other use not recommended by the manufacturer may cause fire, electric shock, or injury to persons.
4. Suitable for dry locations only. Do not use outdoors or on wet surfaces.
5. Do not handle any part of the plug or appliance with wet hands.
6. Do not use with a damaged cable or plug. If the supply cable is damaged it must be replaced by Dyson, its service agent or similarly qualified persons in order to avoid a hazard.
7. If the appliance is not working as it should, has received a sharp blow, has been dropped, damaged, left outdoors, or dropped into water, do not use and contact the Dyson Customer Care Helpline.
8. Contact the Dyson Customer Care Helpline when service or repair is required. Do not disassemble the appliance as incorrect reassembly may result in an electric shock or fire.
9. Make sure the cable is located so that it will not be stepped on, tripped over, or otherwise subjected to damage or stress.
10. Do not unplug by pulling on the cable. To unplug, grasp the plug, not the cable. The use of an extension cable is not recommended.
11. Do not use to pick up water.
12. Do not use to pick up flammable or combustible liquids, such as petrol, or use in areas where they or their vapours may be present.
13. Do not pick up anything that is burning or smoking, such as cigarettes, matches, or hot ashes.
14. Keep hair, loose clothing, fingers, and all parts of the body away from openings and moving parts. Do not point the hose, wand or tools at your eyes or ears or put them in your mouth.
15. Do not put any object into openings. Do not use with any opening blocked; keep free of dust, lint, hair, and anything that may reduce airflow.
16. Use only Dyson recommended accessories and replacement parts.
17. Do not use without the clear bin and filter in place.
18. Unplug when not in use for extended periods and before maintenance or servicing.
19. Use extra care when cleaning on stairs.
20. Do not install, charge or use this appliance outdoors, in a bathroom or within 3 metres of a pool. Do not use on wet surfaces and do not expose to moisture, rain or snow.
21. Use only Dyson chargers for charging this Dyson appliance. Use only Dyson batteries: other types of batteries may burst causing injury to persons and damage.
22. Do not incinerate this appliance even if it is severely damaged. The battery may explode in a fire.
23. Do not press the battery release button during normal operation.
24. Always turn 'OFF' the appliance before connecting or disconnecting the motorised brush bar.

READ AND SAVE THESE INSTRUCTIONS

THIS DYSON APPLIANCE IS INTENDED FOR HOUSEHOLD USE ONLY



Do not use near naked flames.



Do not store near heat sources.



Do not pick up water or liquids.

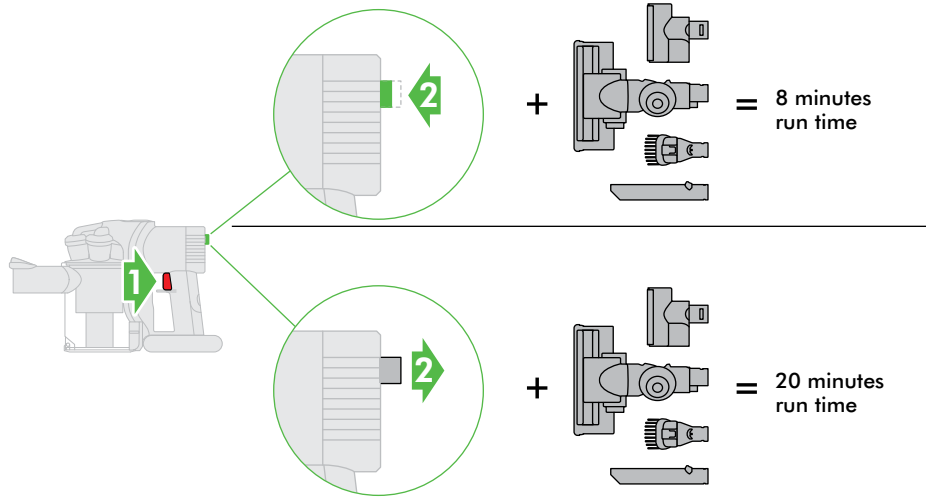


Do not pick up burning objects.

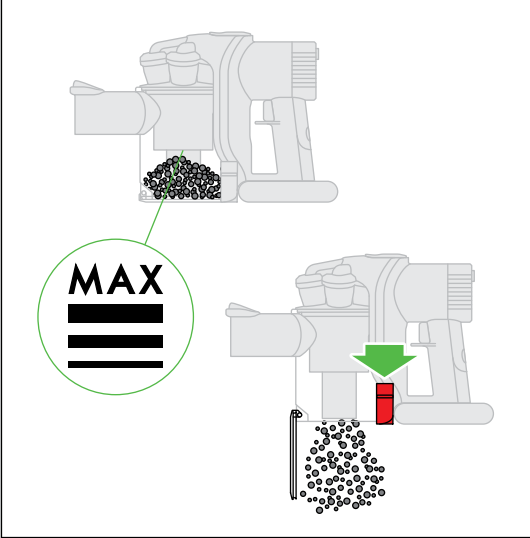


Do not put hands near the brush bar when the appliance is in use.

Power



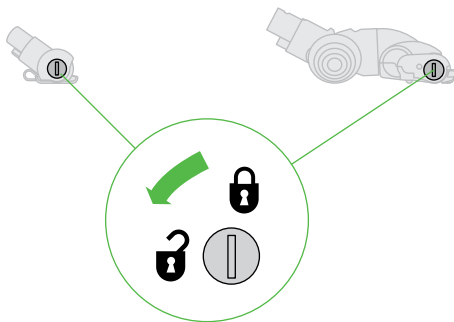
Emptying the clear bin



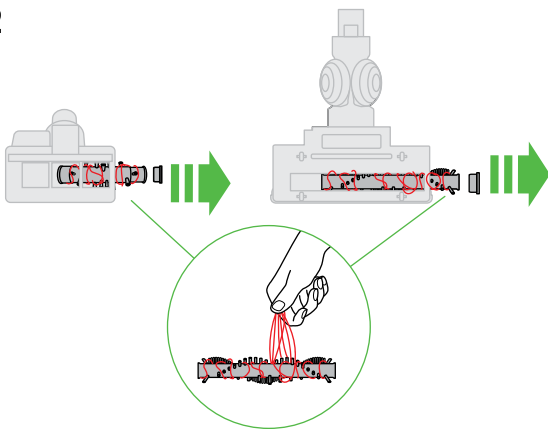
Clearing brush bar obstructions



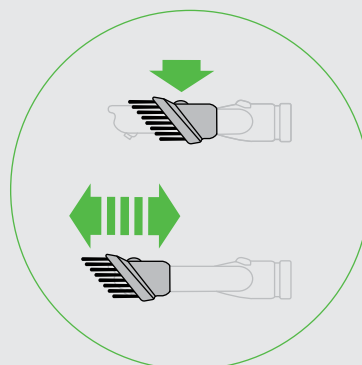
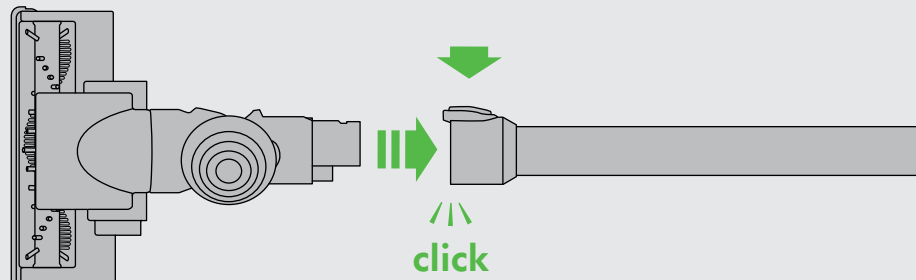
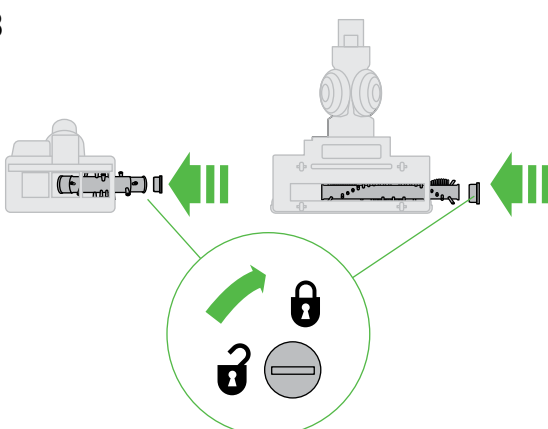
1



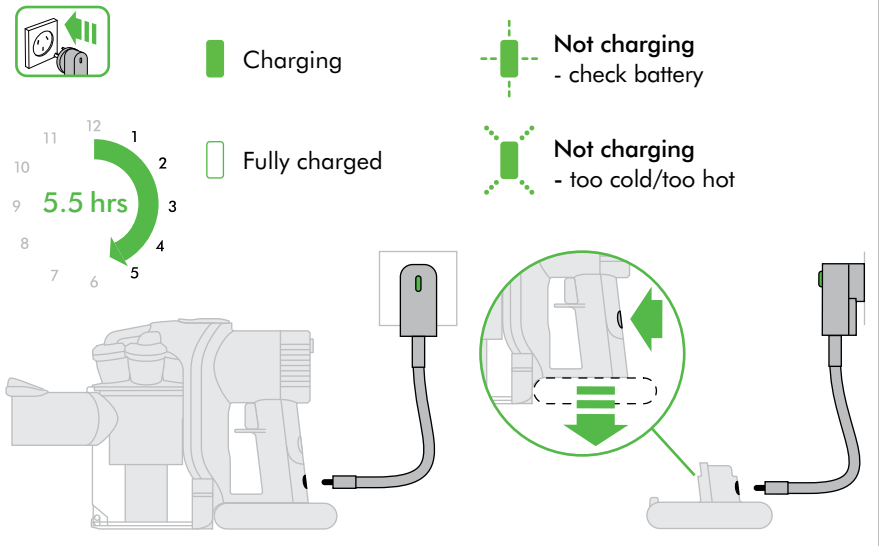
2



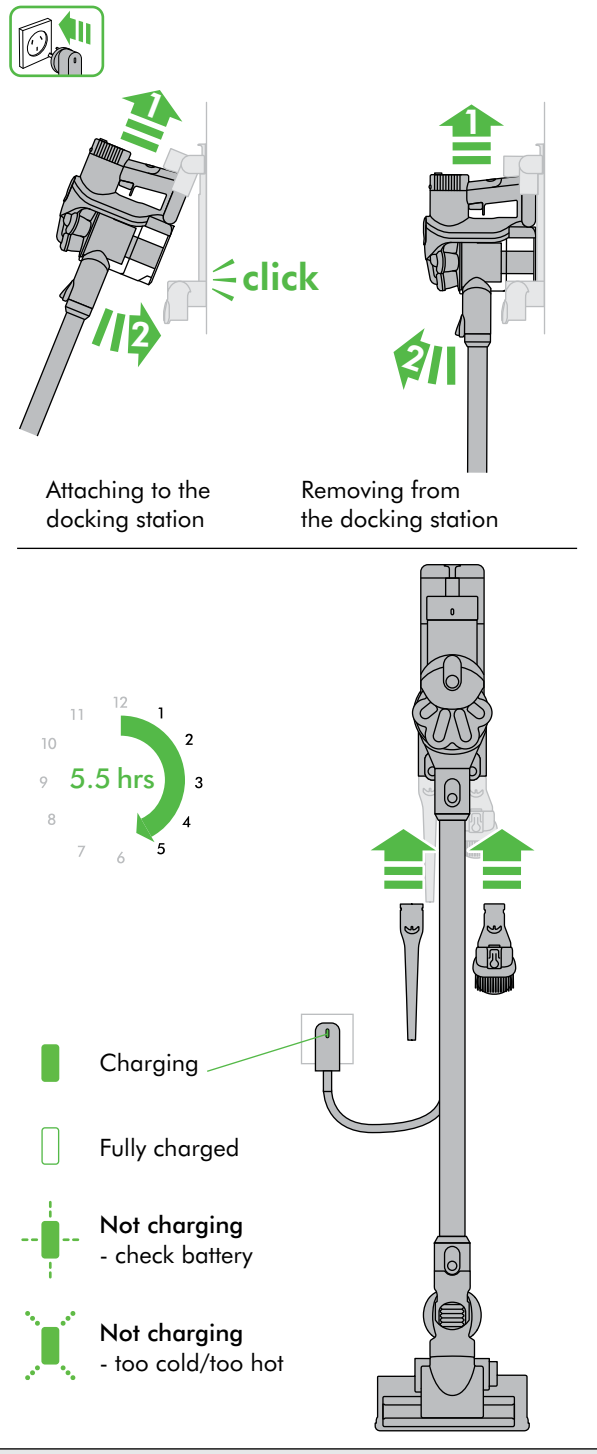
3



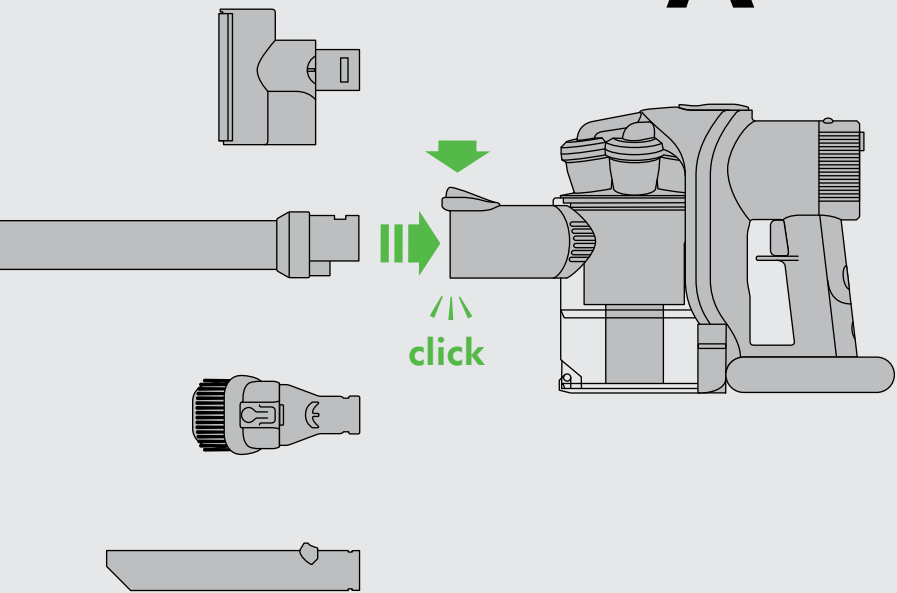
Charging



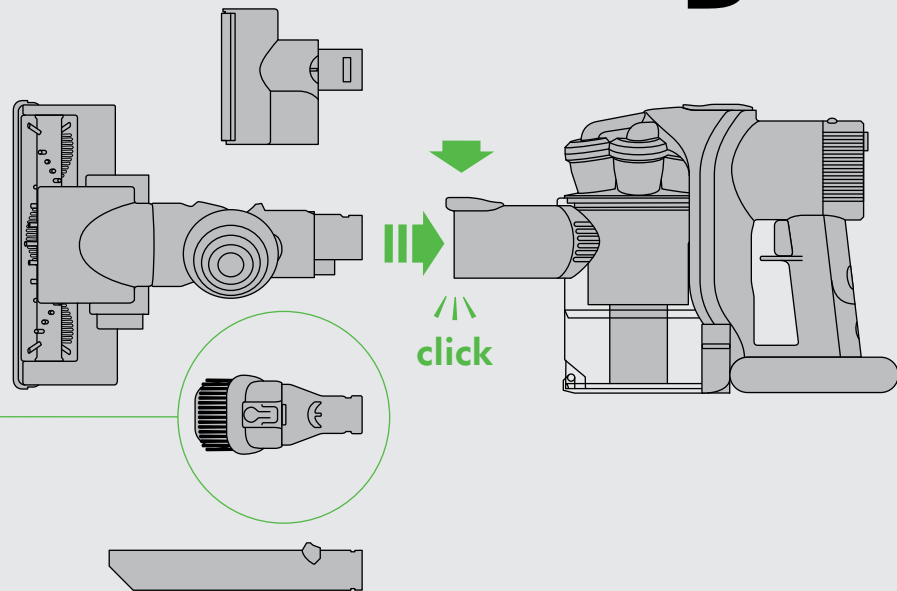
Storing and charging in the docking station



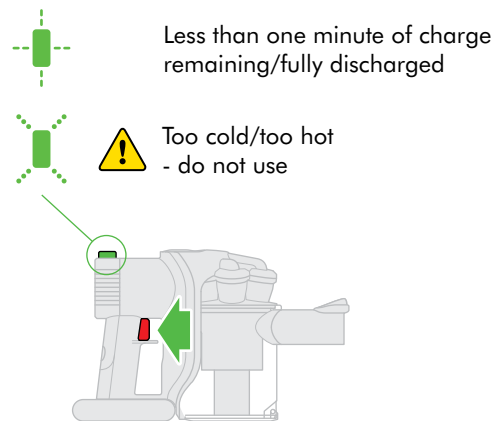
A



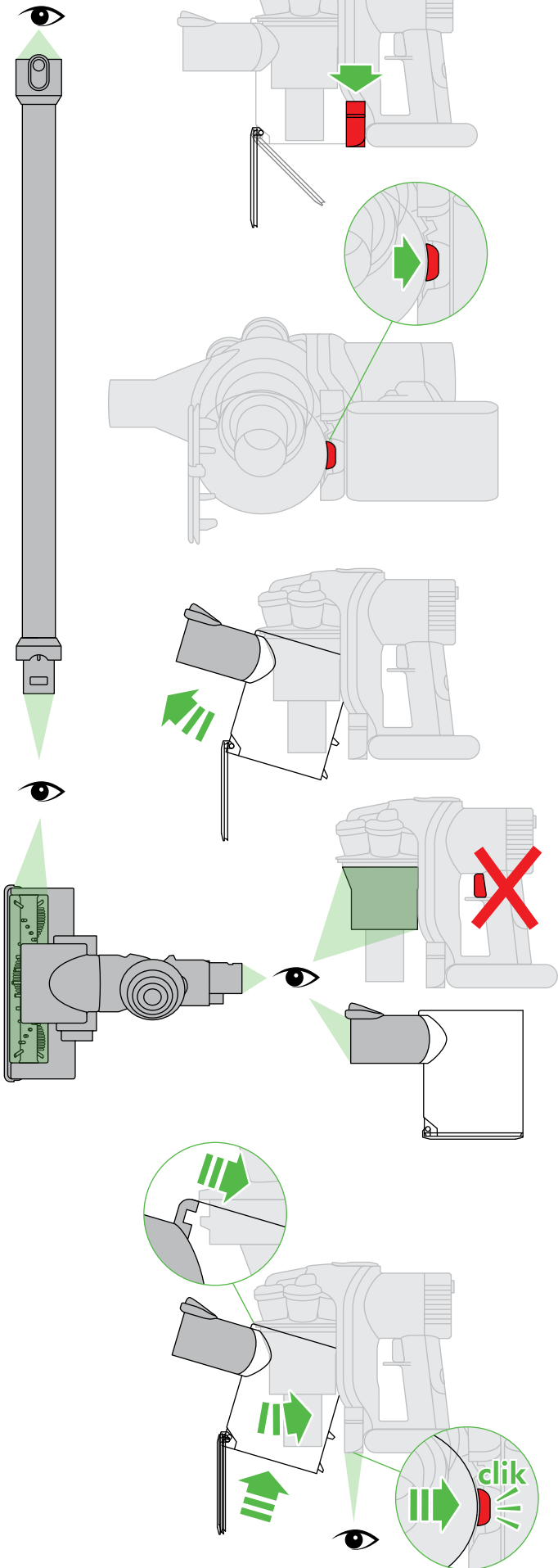
B



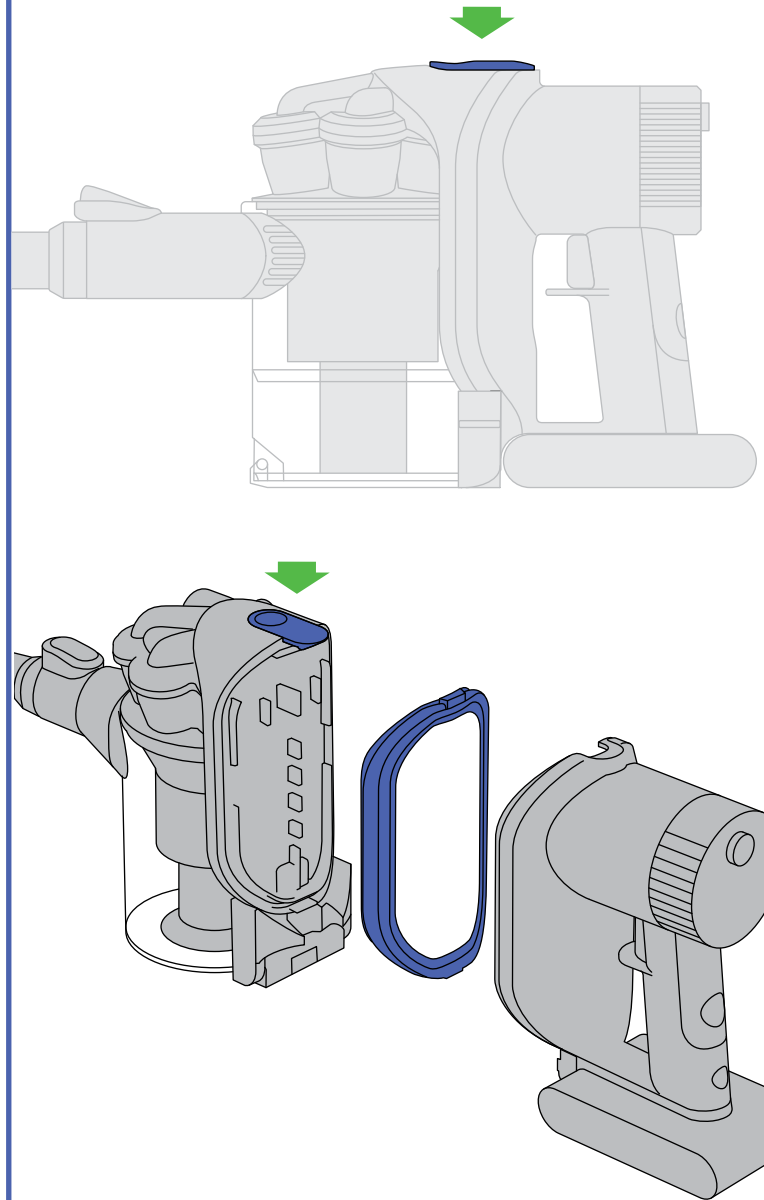
Diagnostics

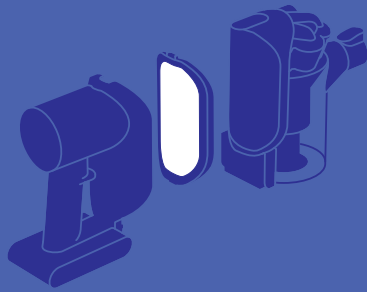
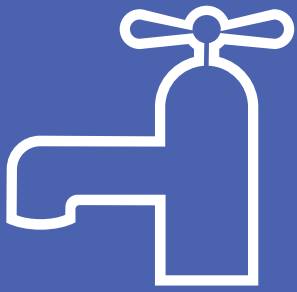


Looking for blockages

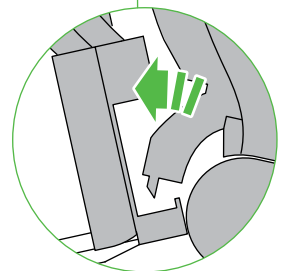
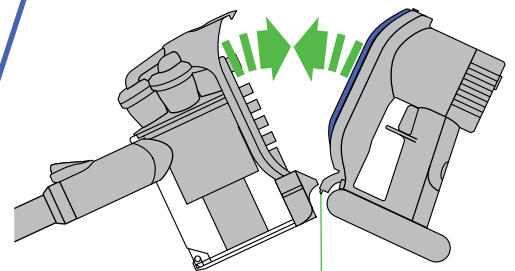
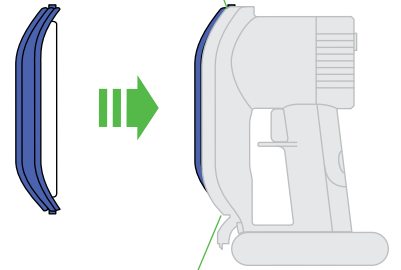
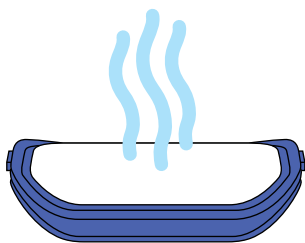
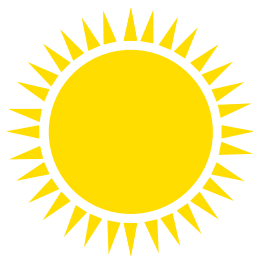
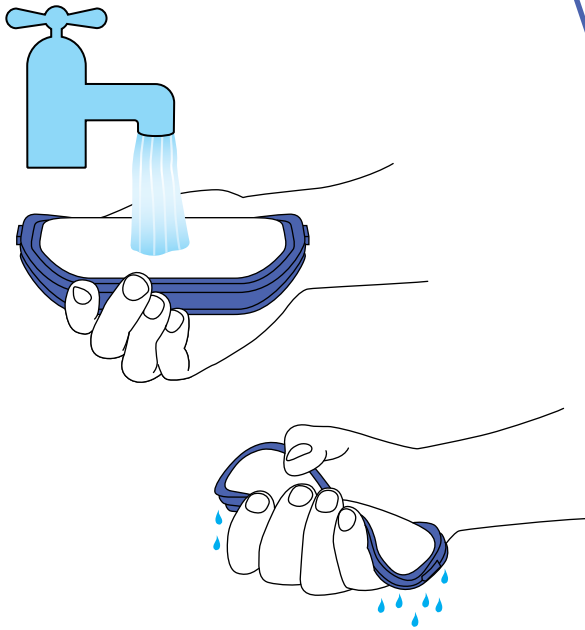


Important!
Wash filter with cold water regularly or as required.





Register for a filter wash reminder by email (Australia only):
customercare@dyson.com.au



USING YOUR DYSON APPLIANCE

PLEASE READ THE 'IMPORTANT SAFETY INSTRUCTIONS' IN THIS DYSON OPERATING MANUAL BEFORE PROCEEDING.

OPERATION

- Ensure the appliance remains upright in use. Dirt and debris may be released if it is turned upside down.
- Do not operate while checking for blockages.
- For domestic indoor and car use only. Do not use it whilst the car is in motion or while driving.
- **This product has carbon fibre brushes. Take care if coming into contact with them. They may cause minor skin irritation. Wash your hands after handling the brushes.**
- To watch a short online video visit:
www.dyson.com.au/dc44gettingstarted
www.dyson.co.nz/dc44gettingstarted

CARPETS OR HARD FLOORS

- Consult your flooring manufacturer's recommended instructions before vacuuming and caring for your flooring, rugs, and carpet. The brush bar on the Dyson vacuum cleaner can damage certain carpet types and floors.
- Some carpets will fuzz if a rotating brush bar is used when vacuuming. If this happens, we recommend vacuuming without the motorhead and consulting with your flooring manufacturer.
- Before vacuuming highly polished floors, such as wood or lino, first check that the underside of the floor tool and its brushes are free from foreign objects that could cause marking.

DOCKING STATION INSTALLATION

Use appropriate mounting hardware for your wall type and ensure that the docking station is mounted securely. Ensure no pipe work (gas, water, air) or electrical cables, wires or ductwork are located directly behind the mounting area. The docking station must be mounted in accordance with regulations and applicable codes/standards (state and local laws may apply). Dyson recommends the use of protective clothing, eyewear and materials as necessary.

LOOKING AFTER YOUR DYSON APPLIANCE

- Do not carry out any maintenance or repair work other than that shown in this Dyson Operating Manual, or advised by the Dyson Customer Care Helpline.
- Only use parts recommended by Dyson. If you do not this could invalidate your Dyson guarantee.
- Store the appliance indoors. Do not use or store it below 0°C. Ensure the appliance is at room temperature before operating.
- Clean the appliance only with a dry cloth. Do not use any lubricants, cleaning agents, polishes or air fresheners on any part of the appliance.

VACUUMING

- Do not use without the clear bin and filter in place.
- Fine dirt such as plaster dust or flour should only be vacuumed in very small amounts.
- Do not use the appliance to pick up sharp hard objects, small toys, pins, paper clips, etc. They may damage the appliance.
- When vacuuming, certain carpets may generate small static charges in the clear bin or nozzle. These are harmless and are not associated with the mains electricity supply. To minimise any effect from this, do not put your hand or insert any object into the clear bin unless you have first emptied it and cleaned it with a damp cloth (see 'Cleaning the clear bin' on page 5).
- Use extra care when cleaning on stairs.
- Do not rest the appliance on chairs, tables, etc.
- Do not press down on the nozzle with excessive force when using the appliance as this may cause damage.
- Do not leave the cleaner head in one place on delicate floors.
- On waxed floors the movement of the cleaner head may create an uneven lustre. If this happens, wipe with a damp cloth, polish the area with wax, and wait for it to dry.

DIAGNOSTICS – APPLIANCE



Less than one minute of charge remaining/fully discharged.



Too cold/too hot - do not use.

EMPTYING THE CLEAR BIN

- Ensure the appliance is disconnected from the charger before emptying the clear bin.
- Be careful not to pull the 'ON' trigger.
- To make emptying the clear bin easier, it is advisable to remove the wand and motorised floor tool.
- Empty as soon as the dirt reaches the level of the MAX mark – do not overfill.
- To release the dirt, push the red button at the side of the clear bin as shown on page 4.

- To minimise dust/allergen contact when emptying, encase the clear bin tightly in a plastic bag and empty. Remove the clear bin carefully and seal bag tightly, dispose as normal.
- Do not use without the clear bin in place.

CLEANING THE CLEAR BIN

- Ensure the appliance is disconnected from the charger before removing the clear bin.
- Be careful not to pull the 'ON' trigger.
- Remove the wand and floor tool.
- To remove the clear bin, push the red button at the side of the clear bin as you would when emptying the clear bin. This will expose the red release button on the underside of the handle. Press this to release the clear bin as shown on page 6.
- Remove the clear bin carefully.
- Clean the clear bin with a damp cloth only.
- Ensure the clear bin is completely dry before replacing.
- Do not use detergents, polishes or air fresheners to clean the clear bin.
- Do not put the clear bin in a dishwasher.
- Clean the cyclone shroud with a dry cloth or dry brush to remove lint and dust.
- To replace the clear bin, fit the tab on the rim of the cyclone shroud into the aperture on the inside of the top of the clear bin. Push the clear bin up and in. It will click into place.
- Close the base of the clear bin.

WASHING YOUR FILTER

- Ensure the appliance is disconnected from the charger before removing the filter.
- Be careful not to pull the 'ON' trigger.
- Your appliance has one washable filter, located as shown.
- Press the 'Filter' button so you can remove the cyclone and clear bin unit.
- Check and wash the filter regularly according to instructions to maintain performance.
- The filter may require more frequent washing if vacuuming fine dust or if used mainly in 'HIGH CONSTANT SUCTION' mode.
- Wash the filter with cold water only. Do not use detergents.
- Do not put the filter in a dishwasher, washing machine, tumble dryer, oven, microwave or near a naked flame.
- **IMPORTANT:** After washing please leave at least 12 hours to dry completely before refitting.
- Place the dry filter into the recess of the handle.
- Fit the base of the handle into the aperture on the base of the cyclone and clear bin unit. Push both halves together until the 'Filter' button engages and locks into place as shown on page 7.
- To watch a short online video visit:
www.dyson.com.au/dc44filterwash
www.dyson.co.nz/dc44filterwash

LOOKING FOR BLOCKAGES

- Ensure the appliance is disconnected from the charger before looking for blockages.
- Do not operate while checking for blockages. Failure to do so could result in personal injury.
- Beware of sharp objects when checking for blockages.
- Refit all parts securely before using.
- Clearing blockages is not covered by your Dyson guarantee.
- If you cannot clear an obstruction you may need to remove the brush bar. Use a coin to unlock the fastener marked with a padlock. Remove the obstruction. Replace the brush bar and secure it by locking the fastener. Ensure it is fixed firmly before operating the appliance.
- **This product has carbon fibre brushes. Take care if coming into contact with them, as they may cause minor skin irritation. Wash your hands after handling the brushes.**

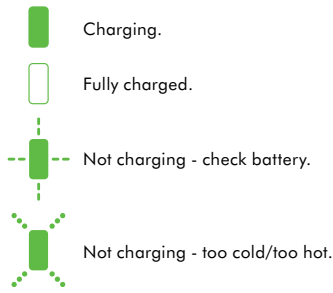
CLEARING BLOCKAGES – THERMAL CUT-OUT

- This appliance is fitted with an automatically resetting thermal cut-out.
- Large items may block the tools or nozzle. If any part becomes blocked the appliance may overheat and automatically cut-out.
- Leave to cool down for 1-2 hours before checking the filter or for blockages.
- Ensure the appliance is disconnected from the charger before looking for blockages. Failure to do so could result in personal injury.
- Clear any blockage before restarting.
- Refit all parts of the appliance securely before using.
- Clearing blockages is not covered by your Dyson guarantee.

CHARGING AND STORING

- This appliance will switch 'OFF' if the battery temperature is below 3°C. This is designed to protect the motor and battery. Do not charge the appliance and then move it to an area with a temperature below 3°C for storage purposes.
- To help prolong battery life, avoid recharging immediately after a full discharge. Allow to cool for a few minutes.
- Avoid using the appliance with the battery flush to a surface. This will help it run cooler and prolong battery run time and life.
- If mounting the docking station on a wall, follow the instructions supplied with this appliance. Ensure the docking station is fitted correctly and the right way up, so the motor of the appliance is at the top when in place. Take all necessary safety precautions. Use appropriate fixings, tools and safety equipment.
- When charging via the docking station the battery must be in the appliance.
- The battery can be charged on or off the appliance. Take care when removing the battery.

DIAGNOSTICS – CHARGER



BATTERY SAFETY INSTRUCTIONS

- Disconnect the charger from the mains electricity supply when removing the battery.
- To release the battery press the silver button on the handle.
- Use only Dyson batteries and Dyson charging unit.
- The battery is a sealed unit and under normal circumstances poses no safety concerns. In the unlikely event that liquid leaks from the battery do not touch the liquid and observe the following precautions:
 - Skin contact – can cause irritation. Wash with soap and water.
 - Inhalation – can cause respiratory irritation. Expose to fresh air and seek medical advice.
 - Eye contact – can cause irritation. Immediately flush eyes thoroughly with water for at least 15 minutes. Seek medical attention.
 - Disposal – wear gloves to handle the battery and dispose of immediately, following local ordinances or regulations.



CAUTION:

The battery used in this device may present a risk of fire or chemical burn if mistreated. Do not disassemble, short contacts, heat above 60°C, or incinerate. Replace battery with a Dyson battery only: use of any other battery may present a risk of fire or explosion. Dispose of used battery promptly and in accordance with local ordinances or regulations. Keep away from children. Do not disassemble and do not dispose of in fire.

AUSTRALIAN CONSUMER LAW

The details of the Dyson guarantee are set out below. In addition to your rights under the Dyson guarantee, we also provide the following statement as required by the Australian Consumer Law: In Australia, your Dyson appliance comes with statutory guarantees that cannot be excluded under the Australian Consumer Law. You are entitled to a replacement or refund for a major failure and for compensation for any other reasonably foreseeable loss or damage. You are also entitled to have your Dyson appliance repaired or replaced if it fails to be of acceptable quality and the failure does not amount to a major failure.

DYSON 2 YEAR GUARANTEE TERMS AND CONDITIONS

Terms and conditions of your Dyson 2 year guarantee.

- The Dyson guarantee becomes effective from the date of purchase.
- All work will be carried out by Dyson Appliances (Aust) Pty Ltd., Avery Robinson Ltd. (NZ), Singapore's authorised agent – Service @Home Pte Ltd. or Indonesia's authorised agent – PT Higiemis Indonesia or their authorised agents.
- Any parts replaced will become the property of Dyson Appliances (Aust) Pty Ltd., Avery Robinson Ltd. (NZ), Dyson Singapore Pte Ltd. or PT Higiemis Indonesia.
- The repair and replacement of your Dyson appliance under Dyson guarantee will not extend the Dyson guarantee period.
- The Dyson guarantee provides benefits which are additional to and do not affect your statutory rights and remedies as a consumer.
- You must provide proof of (both the original and any subsequent) delivery/purchase before any work can be carried out on your Dyson appliance. Without this proof, any work carried out pursuant to the Dyson guarantee and any associated delivery charges (both to and from us) will be at your cost, subject to your statutory rights and remedies as a consumer. Please keep your receipt or delivery note.

WHAT IS COVERED

Your Dyson guarantee covers:

- The repair or replacement of your Dyson appliance if your Dyson appliance is found to be defective due to faulty materials, workmanship or function within 2 years of purchase or delivery (if any part is no longer available or out of manufacture, Dyson will replace it with a functional replacement part).
- Use of the appliance in the country of purchase.

WHAT IS NOT COVERED

Under your Dyson guarantee, Dyson shall not be liable for costs of repair or replacement of a product incurred as a result of:

- Accidental damage, faults caused by negligent use or care, neglect, careless operation or handling of the Dyson appliance which is not in accordance with this Dyson Operating Manual.
- Use of the Dyson appliance for anything other than normal domestic purposes in the country of purchase.
- Use of parts not assembled or installed in accordance with the instructions of Dyson.
- Use of parts and accessories other than those produced or recommended by Dyson.
- Repairs or alterations carried out by parties other than Dyson or its authorised agents.

- Damage from external sources such as transit, weather, electrical outages or power surges.
 - Failures caused by circumstances outside Dyson's control.
 - Blockages – please refer to pages 4, 6 and 8 in this Dyson Operating Manual for details on how to unblock your Dyson appliance.
 - Normal wear and tear (e.g. fuse, brush bar, batteries, etc.).
 - Industrial use of the Dyson appliance such as vacuuming gyprock dust or builders' dust will void your Dyson guarantee.
 - Reduction in battery discharge time due to battery age or use.
 - If your Dyson guarantee does not apply, you may have statutory rights and remedies available to you as a consumer.
- If you are in any doubt as to what is covered by your Dyson guarantee, please call the Dyson Customer Care Helpline (see details on page 2 or page 10).

REGISTERING YOUR DYSON GUARANTEE

To help us ensure you receive prompt and efficient service, please register as a Dyson appliance owner. There are three ways to do this:

- Online (Australia and New Zealand only)
AU: www.dyson.com.au/register
NZ: www.dyson.co.nz/register
 - By calling the Dyson Customer Care Helpline.
 - By completing and returning the enclosed form to us by mail.
- This will confirm ownership of your Dyson appliance in the event of an insurance loss and enable us to contact you if necessary.

DYSON CUSTOMER CARE

- If you have a query about your Dyson appliance, call the Dyson Customer Care Helpline quoting your serial number and details of where and when you bought the appliance or contact us via the website.
 - Most queries can be solved over the phone by one of our Dyson Customer Care Helpline staff.
 - If your Dyson appliance needs a service, call the Dyson Customer Care Helpline so we can discuss the available options.
 - Your serial number can be found on your rating plate which is on the main body of the appliance behind the filter.
 - To enable us to carry out work on your appliance, please contact the Dyson Customer Care Helpline to obtain a reply paid delivery address in your state (available in Australia only).
- If your Dyson appliance is under Dyson guarantee and the repair or replacement is covered, it will be repaired or replaced at no cost. If the repair or replacement is found not to be covered under the Dyson guarantee, the repair or replacement of the Dyson appliance and any associated delivery charges (both to and from us) will be at your cost, subject to your statutory rights and remedies as a consumer.

ABOUT YOUR PRIVACY

Dyson may use this information for future marketing and research purposes (including sending commercial electronic messages) and may disclose it to third parties for the purposes of providing the services you have requested or to our business partners or professional advisers. If you wish to access your personal information or see our full privacy policy, please contact us at: customercare@dyson.com.au

DISPOSAL INFORMATION

Dyson products are made from high grade recyclable materials. Please dispose of this product responsibly and recycle where possible.

The battery should be removed from the product before it is disposed of. Dispose of, or recycle, the battery in accordance with local ordinances or regulations.

When your Dyson appliance reaches the end of its life, we are responsible for its safe disposal. You can send your old Dyson appliance back to us (at our cost) and we will organise for it to be recycled.*

*Please note that not all parts are recyclable. Recycling of parts is subject to the capabilities of 3rd party suppliers. Available in Australia only.

Simply:

1. Box up your old Dyson appliance
2. Take the package to your local post office and send to the address below:

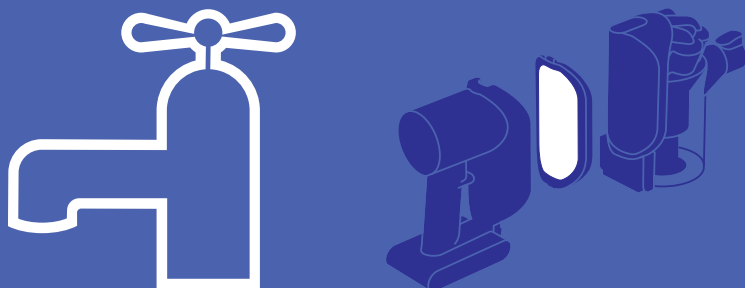
Dyson We Recycle
Reply Paid 83215
Dyson Service Centre
8–10 Mangrove Lane
Taren Point, NSW 2229

PRODUCT INFORMATION

Please note: Small details may vary from those shown.

Important!

Wash filter with cold water regularly or as required.



Register for a filter wash reminder by email (Australia only):
customercare@dyson.com.au



Dyson Customer Care

If you have a query about your Dyson appliance, call the Dyson Customer Care Helpline quoting your serial number and details of where and when you bought the appliance, or contact us via the Dyson website. Your serial number can be found on the main body of the Dyson appliance, behind the filter.

Australia

Website: www.dyson.com.au
Email: customercare@dyson.com.au
Dyson Customer Care: 1800 239 766
(Mon-Fri 8:00am to 6:00pm EST,
Sat-Sun 8:30am to 4:00pm EST).
Address: Dyson Appliances (Aust) Pty Ltd.,
PO Box 2835, Taren Point, NSW 2229 Australia.

New Zealand

Website: www.dyson.co.nz
Email: dyson@averyrobinson.co.nz
Dyson Customer Care: 0800 397 667
(Mon-Fri 8:30am to 5:00pm).
Address: Avery Robinson Ltd., Unit F, 151D Marua
Road, Ellerslie, Auckland, 1051 New Zealand.

Singapore

Website: www.dyson.com.sg
Email: singapore@dyson.com
Dyson Customer Care: 7000 435 7546
(Mon-Fri 9:00am to 6:00pm,
Sat 9:00am to 12.30pm).
Address: Service @ Home Pte Limited,
2 Leng Kee Road, #04-09A Thye Hong Centre,
Singapore 159086.

Indonesia

Website: www.dyson.co.id
Email: service@higienis.com
Dyson Customer Care: 021 707 39766
(Mon-Fri 9:00am to 5:00pm).
Address: PT. Higienis Indonesia Permata Plaza Top
Floor TF-04, Jl, M. H. Thamrin Kav. 57,
Jakarta 10350 Indonesia.

Please take a few moments to answer our questions. They will help us develop new products for the future.

1 This handstick is...

- My first handstick (please go to question 3)
- A replacement handstick
- An additional handstick

2 Which brand of handstick are you replacing or adding to?

- Dyson
- Rowenta
- Electrolux
- Breville
- Vax
- Volta
- Other, please specify

3 Why did you choose to buy a Dyson handstick? (Please rank in order, 1-5, 1 being the most important).

	1	2	3	4	5
Dyson reputation	<input type="checkbox"/>	<input type="checkbox"/>	<input type="checkbox"/>	<input type="checkbox"/>	<input type="checkbox"/>
Good for pet hair pick-up	<input type="checkbox"/>	<input type="checkbox"/>	<input type="checkbox"/>	<input type="checkbox"/>	<input type="checkbox"/>
No loss of suction	<input type="checkbox"/>	<input type="checkbox"/>	<input type="checkbox"/>	<input type="checkbox"/>	<input type="checkbox"/>
Features	<input type="checkbox"/>	<input type="checkbox"/>	<input type="checkbox"/>	<input type="checkbox"/>	<input type="checkbox"/>
Price/special offer	<input type="checkbox"/>	<input type="checkbox"/>	<input type="checkbox"/>	<input type="checkbox"/>	<input type="checkbox"/>
Store staff recommendation	<input type="checkbox"/>	<input type="checkbox"/>	<input type="checkbox"/>	<input type="checkbox"/>	<input type="checkbox"/>
Picks up more dust than others	<input type="checkbox"/>	<input type="checkbox"/>	<input type="checkbox"/>	<input type="checkbox"/>	<input type="checkbox"/>
Friend/family recommendation	<input type="checkbox"/>	<input type="checkbox"/>	<input type="checkbox"/>	<input type="checkbox"/>	<input type="checkbox"/>
Other, please specify <input type="text"/>					

4 Where did you first hear about the Dyson handstick?

- From friends and family
- From the TV or a magazine
- Saw it in a store catalogue
- Saw it in a store
- Recommended by salesperson

5 Where did you look for additional information?

- Dyson website
- Online reviews and forums
- Retail staff
- Retail catalogue
- No additional research was done

6 Do you own any other Dyson products?

- Vacuum cleaner
- Handheld
- Handstick
- Fan
- No

7 What is your average household income?

- Less than \$45,000
- Between \$45,000 - \$74,000
- Between \$75,000 - \$100,000
- Over \$100,000

8 Do you have any household pets?

- Dog
- Cat
- No
- Other, please specify

9 Does anyone in your household suffer from any of the following?

- Asthma
- Allergies
- No

10 To which age group do you belong?

- 16 - 24
- 25 - 34
- 35 - 44
- 45 - 54
- 55 - 64
- 65+

11 Would you recommend a Dyson handstick to your family and friends?

- Yes
- No

12 Do you have children?

- Pre-school
- Aged 5 - 17 years
- Aged 17+ years
- Children no longer at home
- Pregnant
- No children

13 Which best describes your home?

- Up to 2 beds
- 3 - 4 beds
- More than 4 beds

14 What type of flooring do you have in your home?

- Hard floors only
- Hard floors and rugs
- Mix of carpet and hard floors
- Carpet in all areas except the bathroom/s and kitchen
- Other, please specify

THANK YOU FOR YOUR TIME



Date of purchase / /

Country of purchase Australia New Zealand
 Singapore Indonesia

Serial number

Title Surname

First name

Address

Postcode

email

Telephone Mobile

Store of purchase

Privacy Act
Dyson may use this information for future marketing and research purposes (including sending commercial electronic messages) and may disclose it to third parties for the purposes of providing the services you have requested or to our business partners or professional advisers. If you wish to access your personal information or see our full privacy policy, please contact us at customer@dyson.com.au
If you do not wish to receive marketing information by these methods from Dyson please tick this box.

3 EASY WAYS TO REGISTER YOUR DYSON 2 YEAR GUARANTEE



REGISTER ONLINE

Visit our website to register your Dyson full parts and labour guarantee online (Australia and New Zealand only).

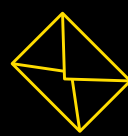
AU: www.dyson.com.au/register
NZ: www.dyson.co.nz/register



REGISTER BY PHONE

Call our dedicated Helpline.

AU **1800 239 766**
NZ **0800 397 667**
SG **7000 435 7546**
ID **021 707 39766**



REGISTER BY MAIL

Complete and return the form to Dyson in the envelope supplied.

