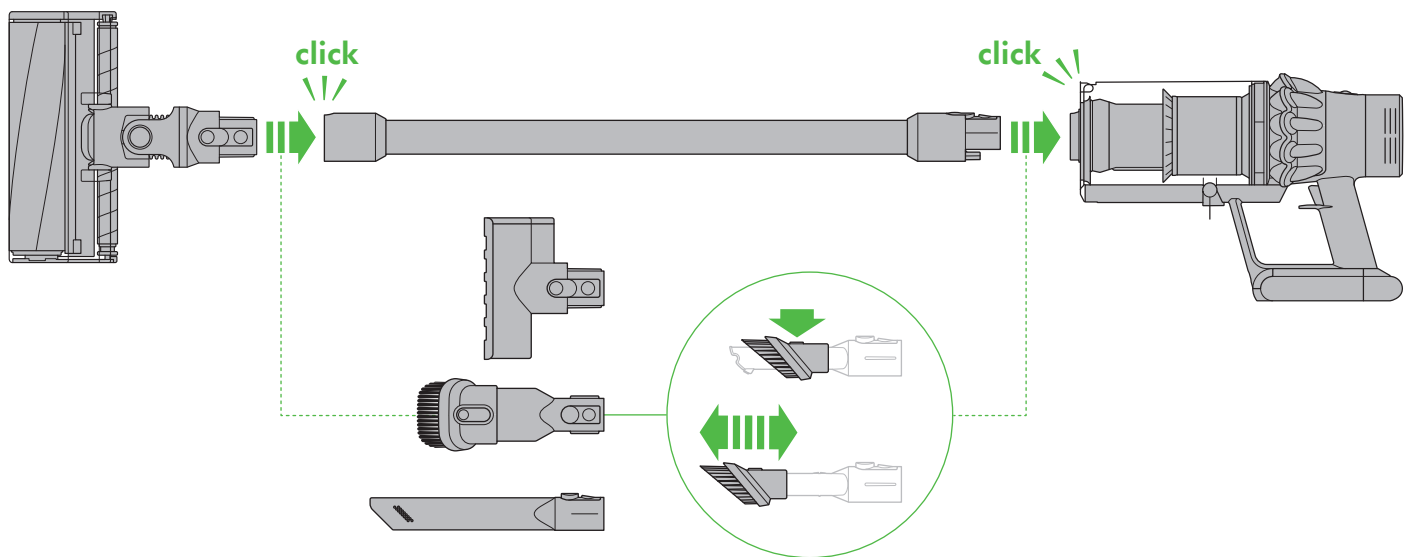
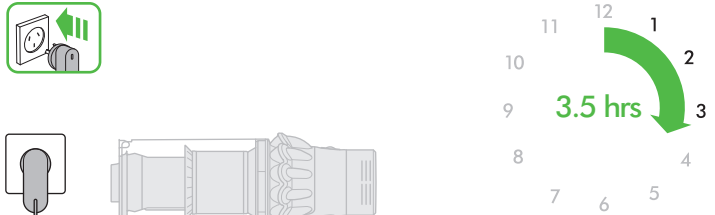


Assembly

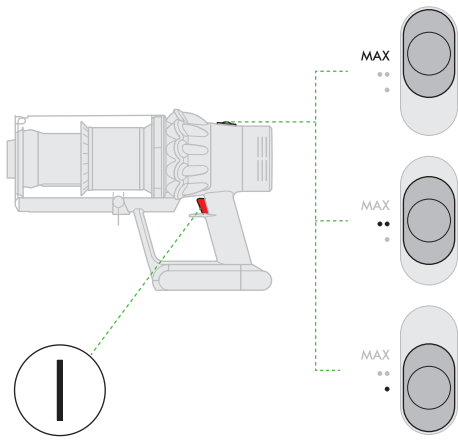



Wash the filter unit
Wash the filter unit with cold water at least every month. Ensure that the filter unit is completely dry before refitting.



3.5 hrs

Register your Dyson 2 year guarantee today

Dyson customer care

Thank you for choosing to buy a Dyson appliance.

Your Dyson appliance will be covered for parts and labour (excluding replacement filters where there is no defect) for 2 years from the date of purchase, as detailed in the terms of the Dyson guarantee in this Dyson Operating Manual. If you have a query about your Dyson appliance, contact us via the website. Alternatively, call the Dyson Customer Care Helpline quoting your serial number and details of where and when you bought the appliance.

Visit our website to register your Dyson full parts and labour guarantee online, and for online help, support videos, general tips and useful information about Dyson.

AU: www.dyson.com.au/support

NZ: www.dyson.co.nz/support

Your serial number can be found on your rating plate which is on the base of the appliance.

Note your serial number for future reference.



This illustration is for example purposes only.

DYSON CUSTOMER CARE

Australia

Website: www.dyson.com.au

Email: aucustomer@dyson.com

Dyson Customer Care: 1800 239 766 (Mon-Fri 8:00am to 6:00pm EST, Sat-Sun 8:30am to 4:00pm EST).

Address: Dyson Appliances (Aust.) Pty Limited, PO Box 2835, Taren Point, NSW 2229 Australia.

New Zealand

Website: www.dyson.co.nz

Email: dyson@averyrobinson.co.nz

Dyson Customer Care: 0800 397 667 (Mon-Fri 8:30am to 5:00pm).

Address: Avery Robinson Ltd., Unit 6, 99 Carbine Road, Mount Wellington, Auckland, 1060, New Zealand.

3 EASY WAYS TO REGISTER YOUR DYSON 2 YEAR GUARANTEE

REGISTER ONLINE

Visit our website to register your Dyson full parts and labour guarantee online.

AU: www.dyson.com.au/register
NZ: www.dyson.co.nz/register

REGISTER BY PHONE

Call our dedicated Helpline.

AU 1800 239 766
NZ 0800 397 667

REGISTER BY MAIL

Complete and return the form to Dyson in the envelope supplied.

IMPORTANT SAFETY INSTRUCTIONS

BEFORE USING THIS APPLIANCE READ ALL INSTRUCTIONS AND CAUTIONARY MARKINGS IN THIS MANUAL AND ON THE APPLIANCE

When using an electrical appliance, basic precautions should always be followed, including the following:



WARNING

These warnings apply to the appliance, and also where applicable, to all tools, accessories, chargers or mains adaptors. TO REDUCE THE RISK OF FIRE, ELECTRIC SHOCK, OR INJURY:

1. This Dyson appliance is not intended for use by young children or infirm persons with reduced physical, sensory or reasoning capabilities, or lack of experience and knowledge, unless they have been given supervision or instruction by a responsible person concerning use of the appliance to ensure that they can use it safely.
2. Do not allow to be used as a toy. Close attention is necessary when used by or near children. Children should be supervised to ensure that they do not play with the appliance.
3. Use only as described in this Dyson Operating Manual. Do not carry out any maintenance other than that shown in this manual, or advised by the Dyson Customer Care Helpline.
4. Suitable for dry locations ONLY. Do not use outdoors or on wet surfaces.
5. Do not handle any part of the plug or appliance with wet hands.
6. Do not use with a damaged cable or plug. If the supply cable is damaged it must be replaced by Dyson, its service agent or similarly qualified person in order to avoid a hazard.
7. If the appliance is not working as it should, has received a sharp blow, has been dropped, damaged, left outdoors, or dropped into water, do not use and contact the Dyson Customer Care Helpline.

8. Contact the Dyson Customer Care Helpline when service or repair is required. Do not disassemble the appliance as incorrect reassembly may result in an electric shock or fire.
9. Do not stretch the cable or place the cable under strain. Keep the cable away from heated surfaces. Do not close a door on the cable, or pull the cable around sharp edges or corners. Arrange the cable away from traffic areas and where it will not be stepped on or tripped over. Do not run the appliance over the cable.
10. Do not unplug by pulling on the cable. To unplug, grasp the plug, not the cable. The use of an extension cable is not recommended.
11. Do not use to pick up water.
12. Do not use to pick up flammable or combustible liquids, such as petrol, or use in areas where they or their vapours may be present.
13. Do not pick up anything that is burning or smoking, such as cigarettes, matches, or hot ashes.
14. Keep hair, loose clothing, fingers, and all parts of the body away from openings and moving parts, such as the brush bar. Do not point the hose, wand or tools at your eyes or ears or put them in your mouth.
15. Do not put any object into openings. Do not use with any opening blocked; keep free of dust, lint, hair, and anything that may reduce airflow.
16. Use only Dyson recommended accessories and replacement parts.
17. Do not use without the clear bin and filter in place.
18. Unplug when not in use for extended periods and before maintenance or servicing.
19. Use extra care when cleaning on stairs.
20. Do not install, charge or use this appliance outdoors, in a bathroom or within 3 metres (10 feet) of a pool. Do not use on wet surfaces and do not expose to moisture, rain or snow.

21. Use only Dyson chargers for charging this Dyson appliance. Use only Dyson batteries: other types of batteries may burst, causing injury to persons and damage.
22. FIRE WARNING – Do not place this product on or near a cooker or any other hot surface and do not incinerate this appliance even if it is severely damaged. The battery might catch fire or explode.
23. Always turn 'OFF' the appliance before connecting or disconnecting the motorised brush bar.

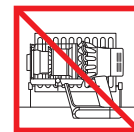
24. FIRE WARNING – Do not apply any fragrance or scented product to the filter(s) of this appliance. The chemicals in such products are known to be flammable and can cause the appliance to catch fire.

READ AND SAVE THESE INSTRUCTIONS

THIS DYSON APPLIANCE IS INTENDED FOR HOUSEHOLD USE ONLY



Do not use near naked flames.



Do not store near heat sources.



Do not pick up water or liquids.



Do not pick up burning objects.

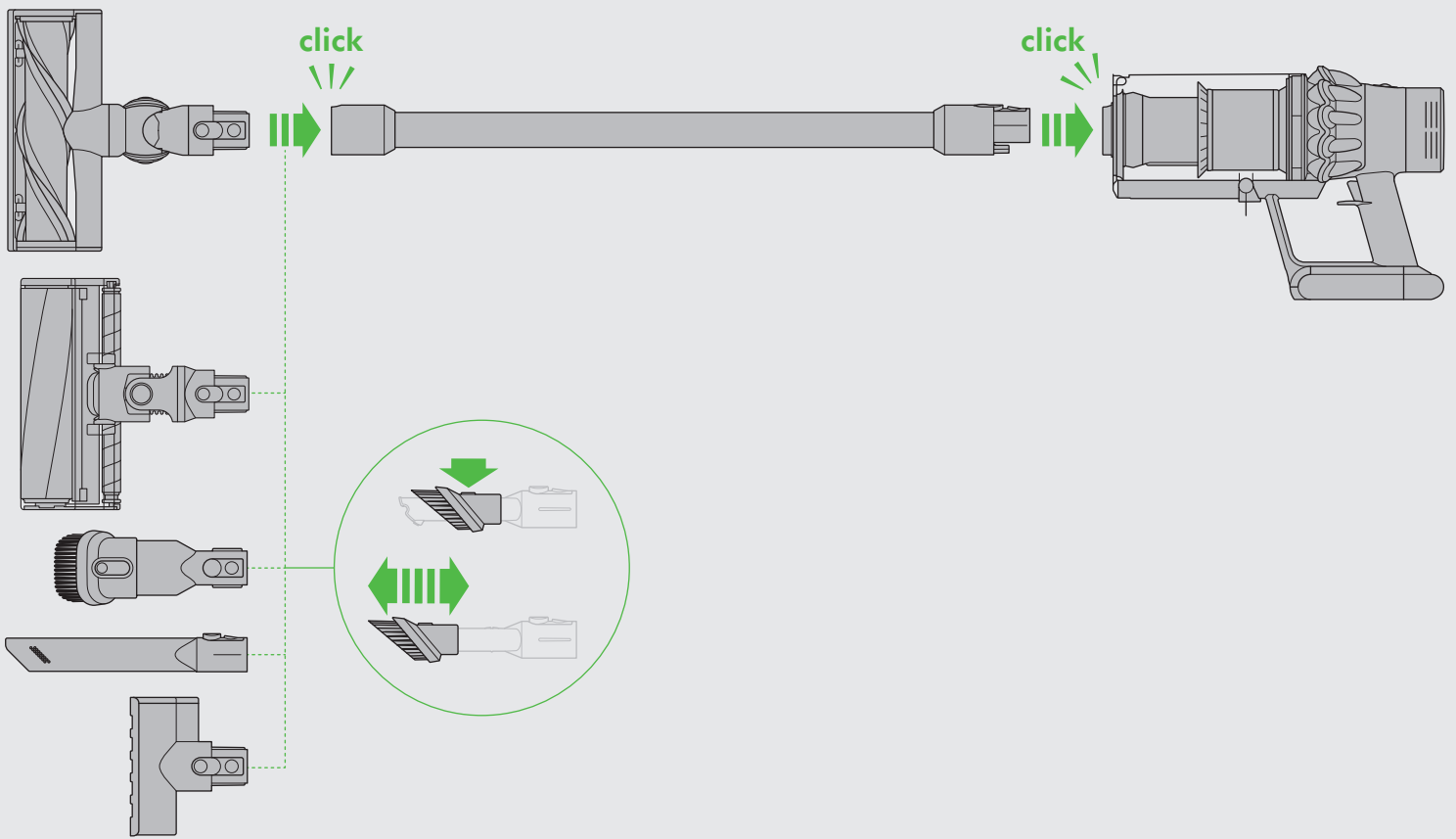
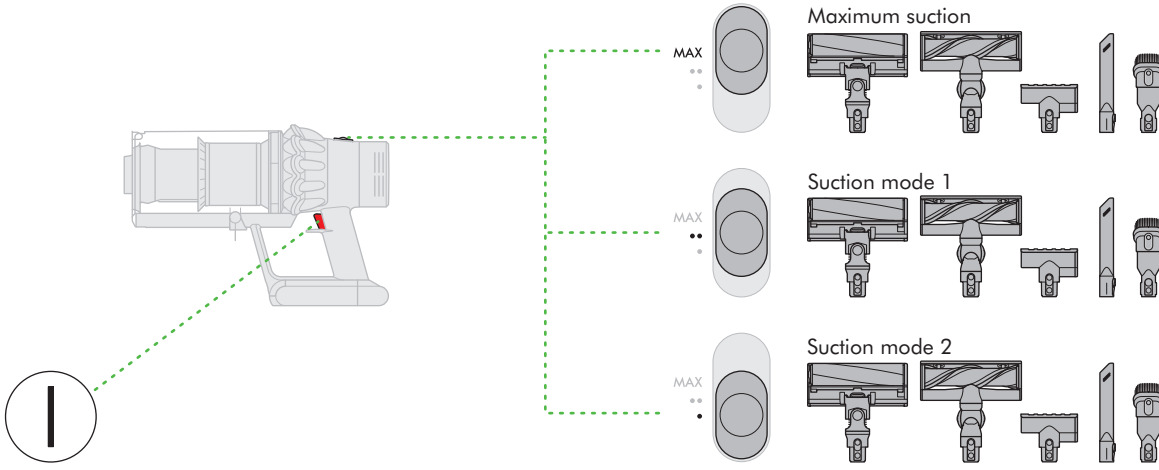


Do not put hands near the brush bar when the appliance is in use.



Do not place on or near the cooker.

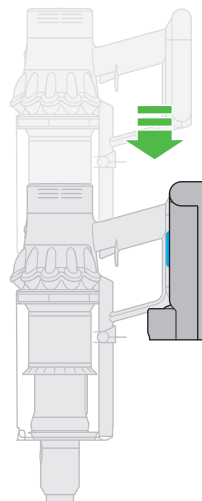
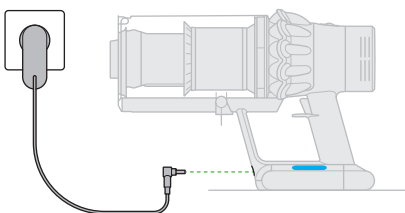
Power mode







Recharging

Recharging on the dock

Lights during charging



-  Charging, low charge
-  Charging, medium charge
-  Charging, nearly full
-  Fully charged

Lights during use

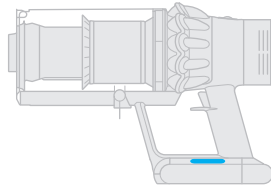
High level of charge

Medium level of charge

Low level of charge

Empty, needs charging

Filter and blockage indicator LEDs



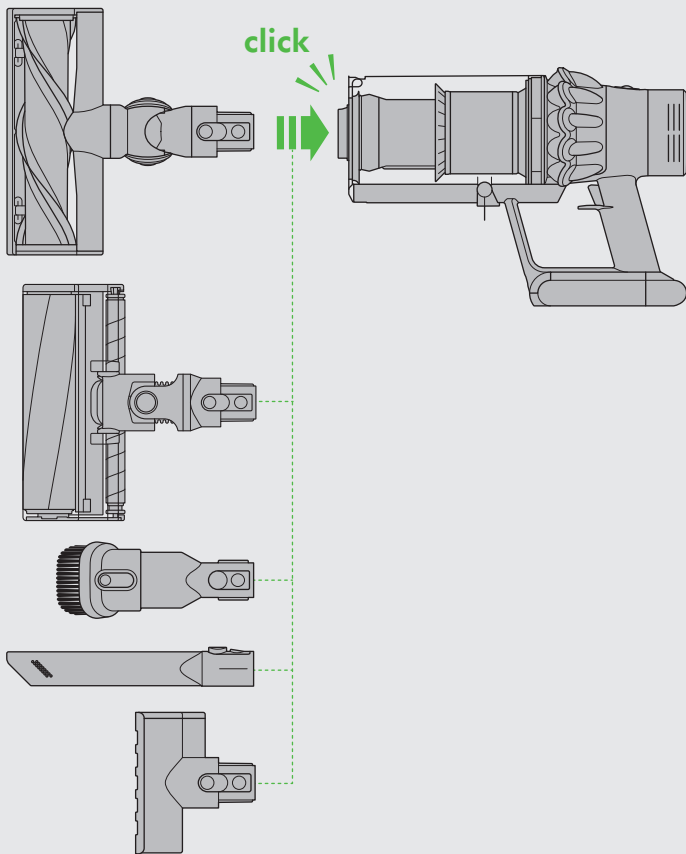
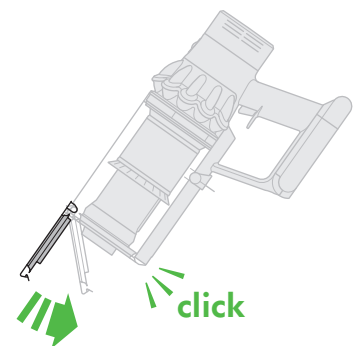
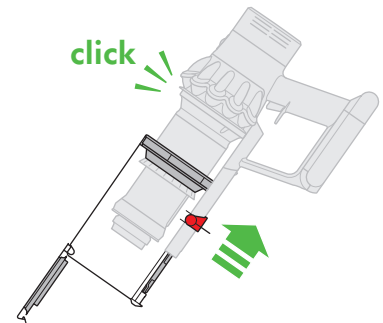
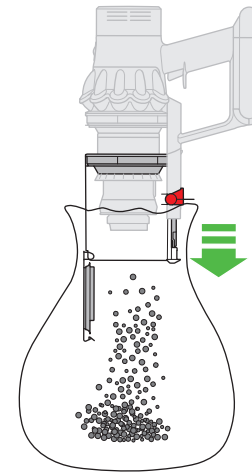
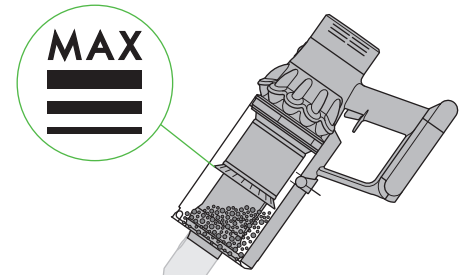
Blockage indicator

Filter unit requires washing

Filter unit not fitted correctly

See battery section

Emptying the clear bin



Lights diagnostics

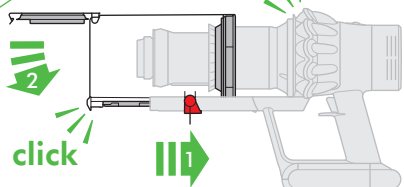
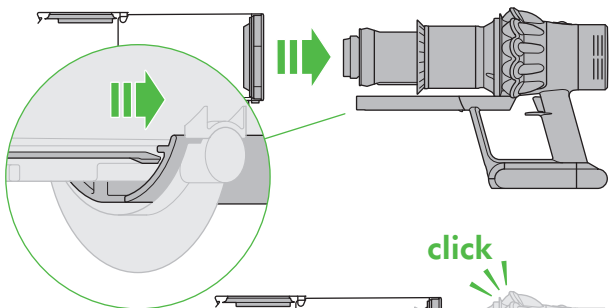
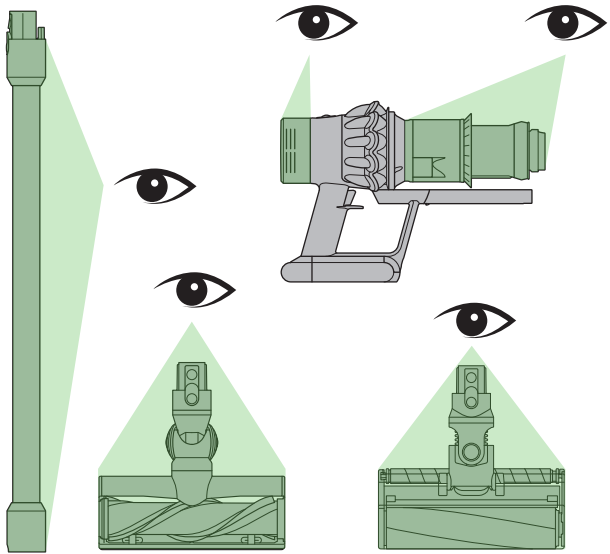
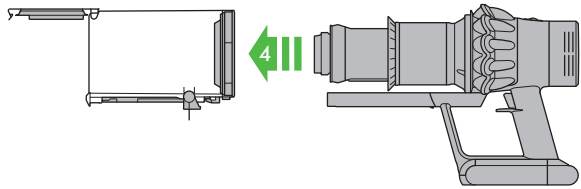
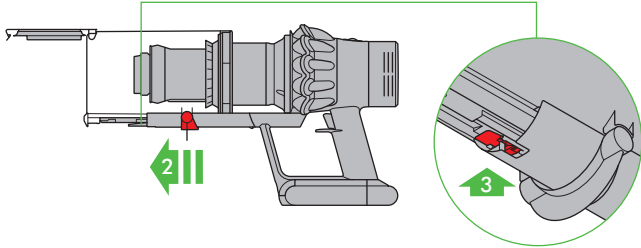
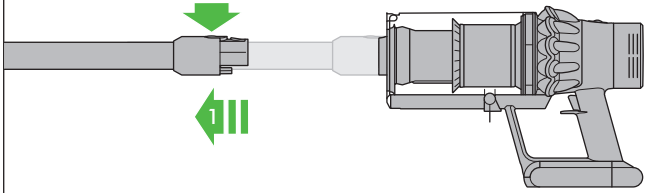
Battery fault-call Dyson Helpline

Main body fault-call Dyson Helpline

Charger fault-call Dyson Helpline



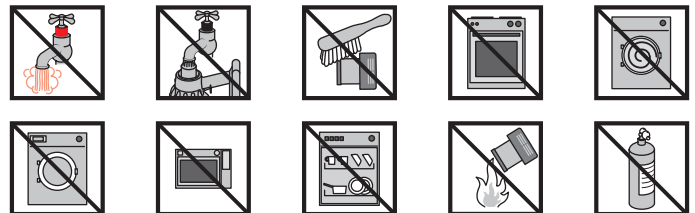
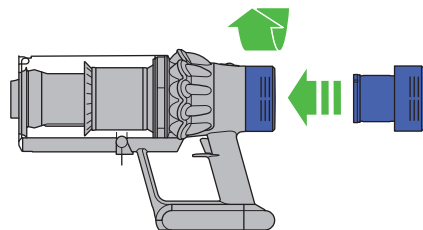
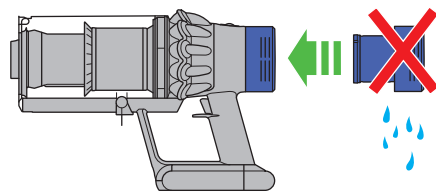
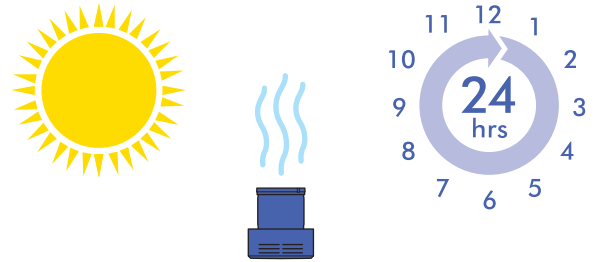
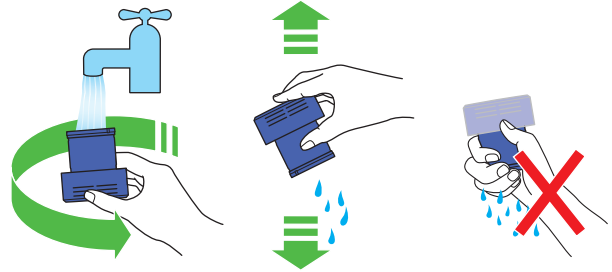
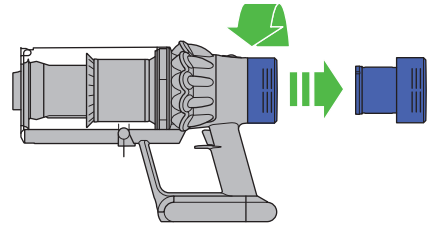
Looking for blockages



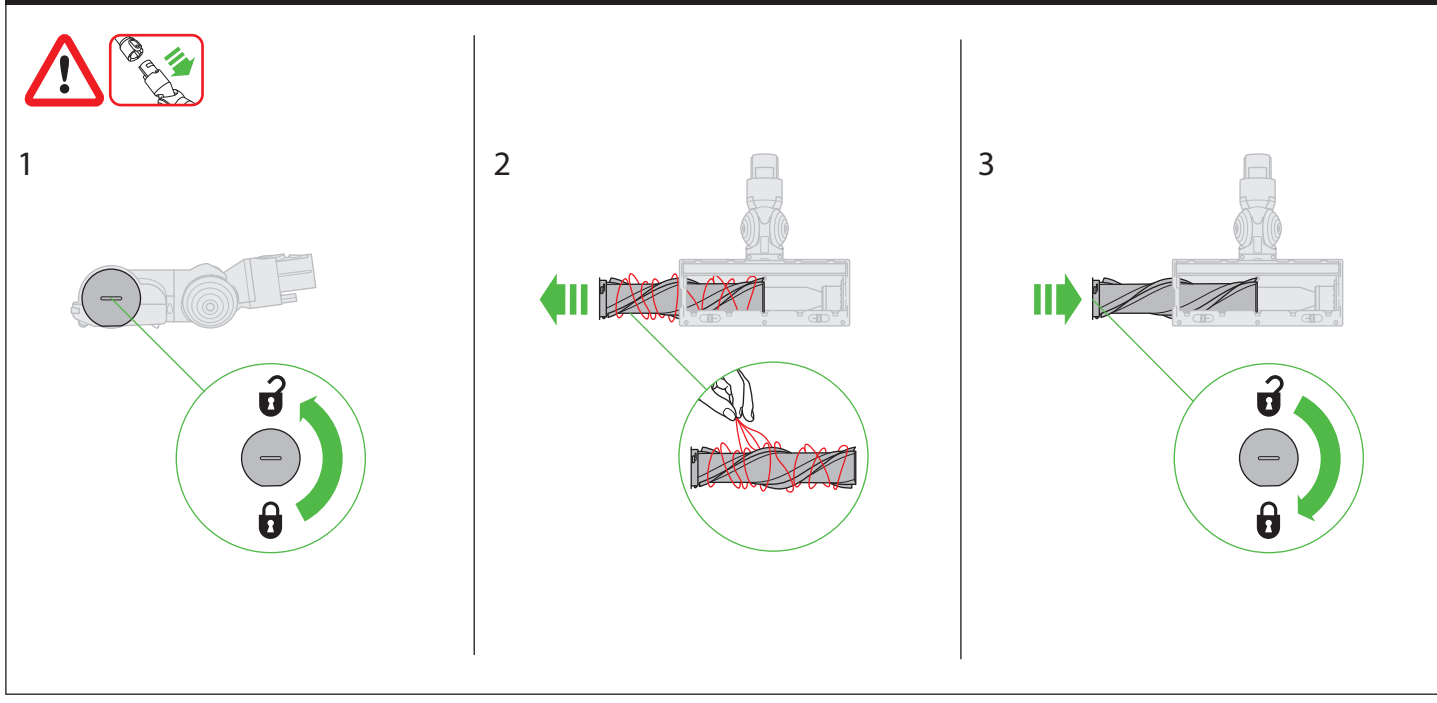
Wash the filter unit

FILTER
FILTRE
FILTRO

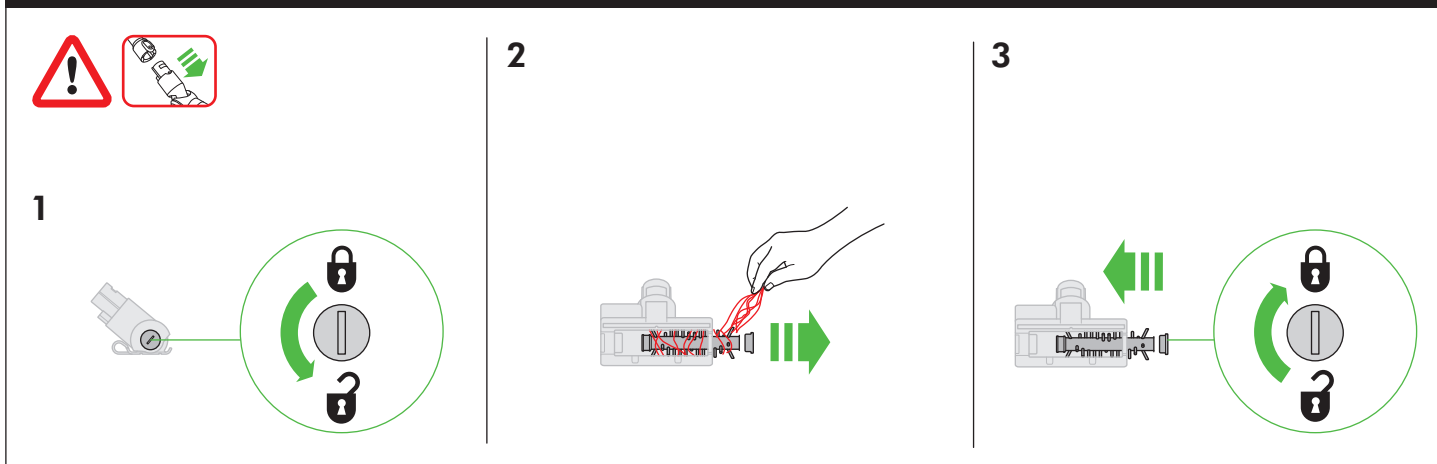
Wash the filter unit with cold water at least every month. Ensure that the filter unit is completely dry before refitting.



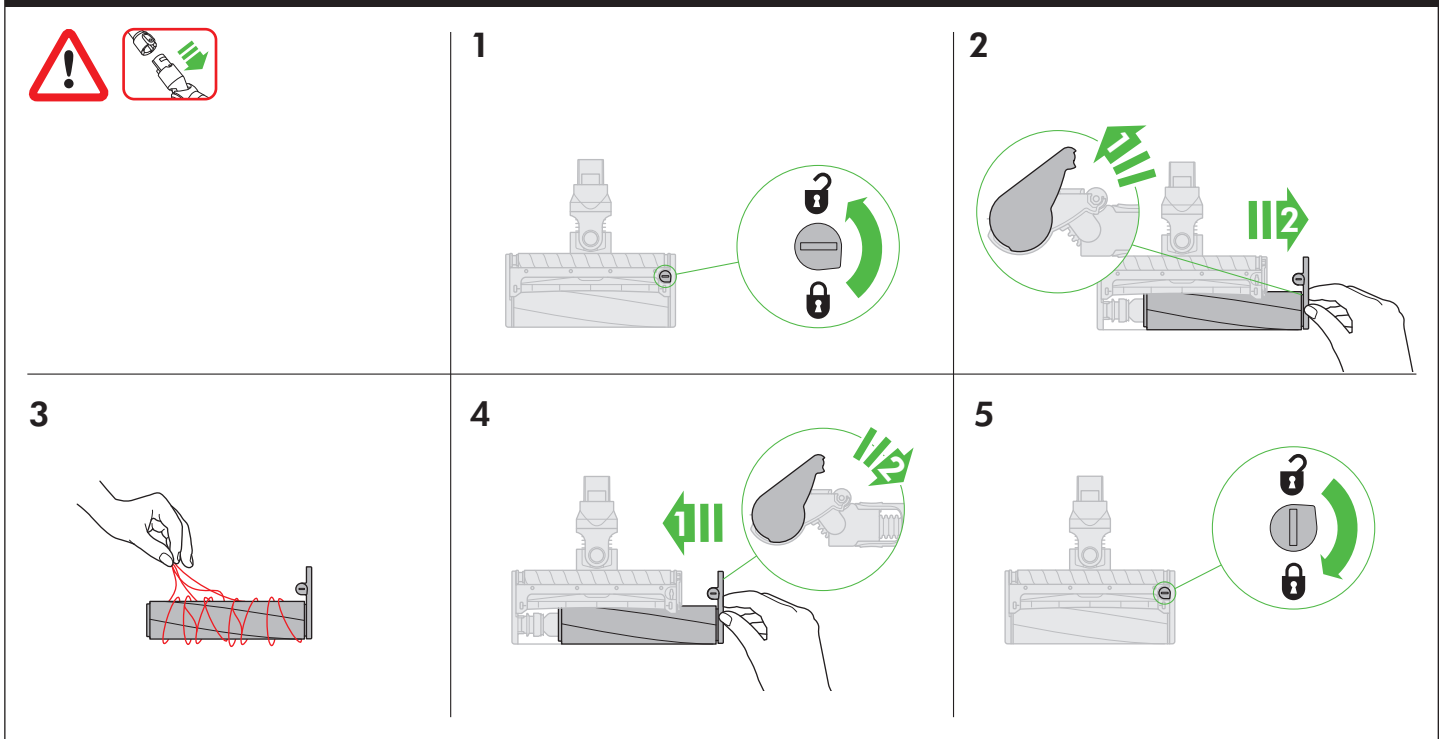
Direct drive cleaner head: Clearing obstructions



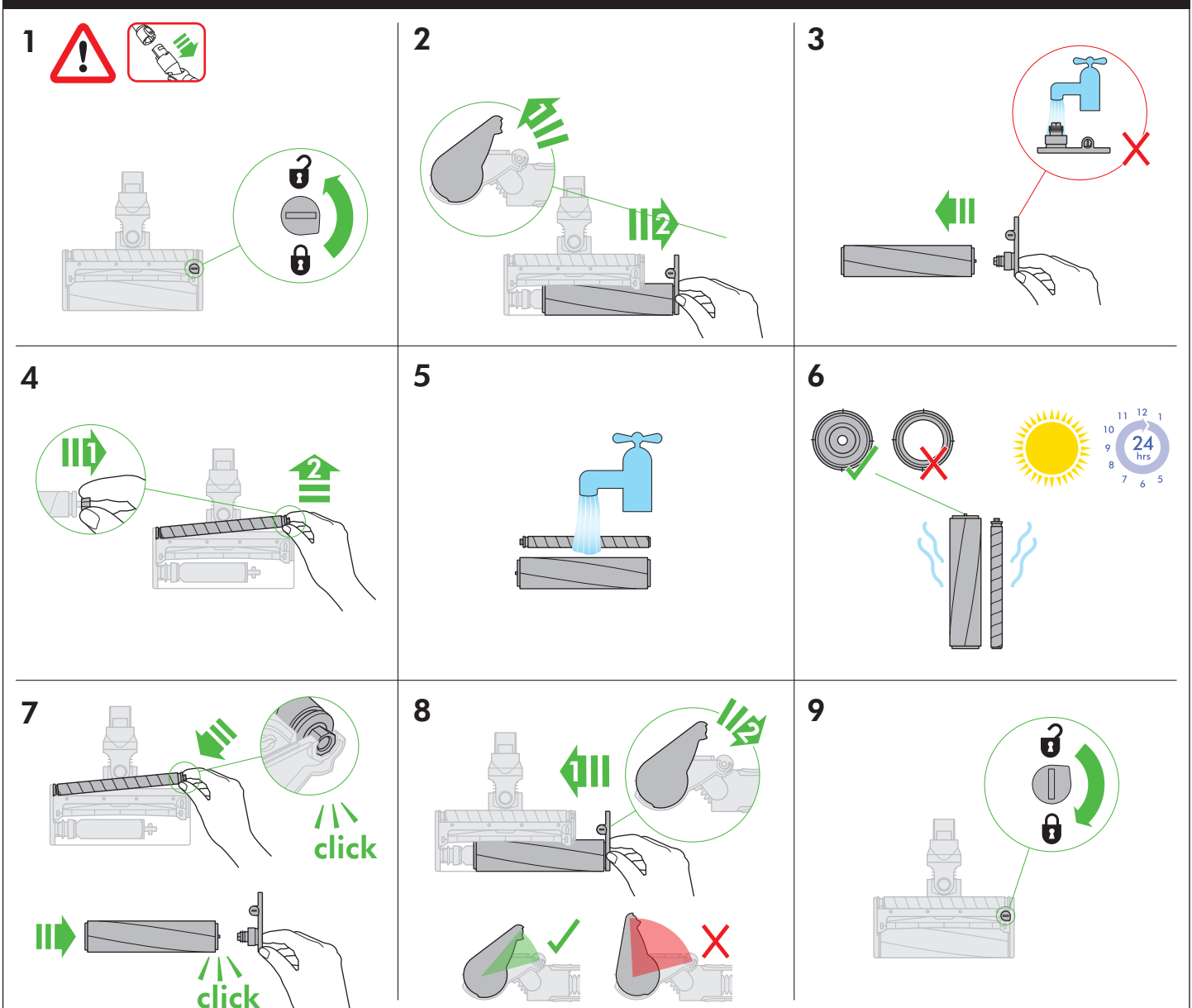
Mini motorised tool: Clearing obstructions



Soft roller cleaner head: Clearing obstructions



Soft roller cleaner head: Washing the brush bars



USING YOUR DYSON APPLIANCE

PLEASE READ THE 'IMPORTANT SAFETY INSTRUCTIONS' IN THIS DYSON OPERATING MANUAL BEFORE PROCEEDING.

DOCKING STATION INSTALLATION

- Unpack the docking station, plug and installation leaflet.
 - Select the location for the docking station and ensure that there is no pipework (gas, water or air), electrical cables, wires or ductwork directly behind the mounting location.
 - Follow the instructions on the installation leaflet.
 - Click the attachments into place.
 - Place the appliance in the docking station.
 - Plug in the docking station and turn on to charge.
 - Your appliance will need to be fully charged before first use.
- The docking station must be mounted in accordance with regulations and applicable codes/standards (state and local laws may apply).
Dyson recommends the use of protective clothing, eyewear and materials when installing the docking station.

VACUUMING

- Remove the appliance from the docking station.
 - Check that the underside of the cleaner head or tool is clean and free from foreign objects that may cause damage.
- Before vacuuming your flooring, rugs and carpets, check the manufacturer's recommended cleaning instructions.
The brush bar on the appliance can damage certain carpet types and floors. Some carpets will fuzz if a rotating brush bar is used when vacuuming. If this happens, we recommend vacuuming without the motorised floor tool and consulting with your flooring manufacturer.

EMPTYING THE CLEAR BIN

- Empty as soon as the dirt reaches the level of the MAX mark – do not overfill.
 - Ensure that the appliance is disconnected from the charger before emptying the clear bin. Be careful not to pull the 'ON' trigger.
 - Avoid pulling the 'ON' trigger when emptying.
 - Remove the wand by pressing the red wand release button and pulling away from the bin.
 - To release the dirt:
 - Hold the appliance with the bin in a downwards position.
 - Firmly push the red bin release button.
 - The bin will slide down, cleaning the shroud as it goes.
 - The bin base will then open.
 - The bin base will not open if the red button is not pushed down fully.
- To minimise dust/allergen contact when emptying, encase the clear bin tightly in a plastic bag and empty. Remove the clear bin carefully from the bag. Seal the bag tightly, dispose as normal.

CLEANING THE CLEAR BIN (OPTIONAL)

If it is necessary to clean the clear bin:

- Follow the instructions in the 'Emptying the clear bin' section.
 - Press the red button located on the bin runner to release the bin and slide the bin off the runner.
 - Clean the clear bin with a damp cloth only.
 - Ensure that the clear bin and seals are completely dry before replacing.
 - To refit the clear bin:
 - Insert the spine on to the bin runner.
- Close the clear bin by pushing the bin base upwards until the clear bin and bin base click into place.
The clear bin is not dishwasher safe and the use of detergents, polishes or air fresheners to clean the clear bin is not recommended as this may damage your appliance.

FILTER AND BLOCKAGE INDICATOR LEDS

Your appliance has two indicator lights that will help alert you that simple maintenance steps are needed.

- The filter indicator will flash intermittently when the filter unit is not fitted correctly. Follow the instructions on how to refit the filter unit in the 'Washing the filter unit' section.
- The filter indicator will light continuously when the filter unit needs washing. Follow the instructions on how to wash the filter unit in the 'Washing the filter unit' section.
- The blockage Indicator LED will light if there is a blockage. Follow the instructions on how to clear blockages in the 'Looking for blockages' section.

WASHABLE PARTS

Your appliance has washable parts, which require regular cleaning. Follow the instructions below.

WASHING THE SOFT ROLLER CLEANER HEAD BRUSH BARS

Your appliance has two washable brush bars, check and wash these regularly according to the following instructions to maintain performance.

- Ensure that the appliance is disconnected from the charger before removing the brush bar. Be careful not to pull the 'ON' trigger.
- To remove, wash and replace brush bars:
Please refer to the 'Washing the brush bars' illustrations alongside the instructions below.
- Turn the cleaner head upside down so that the underside of the cleaner head is facing you. Use a coin to turn the fastener one quarter anticlockwise until it clicks into the unlocked position.

- Rotate the end cap to the open position. Gently slide the large brush bar away from the cleaner head.
- Remove the end cap from the large brush bar. Do not wash the end cap.
- Lift out the small brush bar from the octagonal end and pull away from the cleaner head.
- Hold the brush bars under running water and gently rub to remove any lint or dirt.
- Stand both brush bars upright. Ensure that the large brush bar is stood upright as shown. Leave to dry completely for a minimum of 24 hours.
- Before replacing, check that the brush bars are completely dry. Refit the small brush bar before the large one. Insert the round end of the small brush bar into place. Push down the octagonal end until it clicks into place.
- Reattach the end cap to the brush bar.
- Slide the large brush bar back on to the cleaner head, around the motor.
- The end cap should be in the open position as shown. Once in place, rotate the end cap back into the closed position.
- Close the fastener by turning a quarter turn clockwise. Ensure that the fastener is fully turned and the brush bars are secure.

WASHING THE FILTER UNIT

Check and wash the filter unit, according to the instructions, to maintain performance.

- Remove the filter unit by twisting anticlockwise to the open position. Gently pull away from the appliance.
 - Wash the inside of the filter unit first; hold it upright under the cold water tap and agitate using a rotating motion.
 - Wash the outside of the filter unit; fill the unit with cold water, place your hand over the open end and shake gently.
 - Repeat washing the inside and outside of the filter unit until the water runs clear.
 - Gently tap the filter unit to remove any excess water and leave to dry with the open end facing up.
 - Leave the filter unit to dry completely for a minimum of 24 hours.
 - Check that the filter unit is completely dry.
 - To refit, return the filter unit to the open position and twist clockwise until it clicks into place.
- The filter unit may require more frequent washing if vacuuming fine dust or using mainly maximum suction.
Do not put the filter unit in a dishwasher, washing machine, tumble dryer, oven, microwave or near a naked flame.

BLOCKAGES – AUTOMATIC CUT-OUT

- This appliance is fitted with an automatic cut-out.
- If any part becomes blocked the appliance may automatically cut out.
- This will happen after the motor pulses a number of times (i.e switches on and off in quick succession) and the blockage indicator LED will illuminate.
- Leave to cool down before looking for blockages.
- Ensure that the appliance is disconnected from the charger before looking for blockages. Failure to do so could result in personal injury.
- Clear any blockages before restarting (see 'Looking for blockages' section).
- Refit all parts securely before using.
- Clearing blockages is not covered by your Dyson guarantee.

LOOKING FOR BLOCKAGES

The motor will pulse and the blockage indicator LED will illuminate when there is a blockage. Please follow the instructions below to locate the blockage:

- Ensure that the appliance is disconnected from the charger before looking for blockages. Be careful not to pull the 'ON' trigger.
- Do not operate while checking for blockages. Failure to do so could result in personal injury.
- Leave to cool down before looking for blockages.
- Beware of sharp objects when checking for blockages.
- To check for blockages in the main body of the appliance, remove the clear bin following the instructions in the 'Cleaning the clear bin' section and remove the blockage.
- If you cannot clear an obstruction you may need to remove the brush bars, please follow the instructions below:
 - To remove the soft roller cleaner head brush bars, please refer to the 'Washing the soft roller cleaner head brush bars' section. Remove the obstruction and replace the brush bars as shown in the 'Washing the soft roller cleaner head brush bars' section. Ensure that the fastener is fully turned and the base plate and brush bars are secure before operating the appliance.
 - To remove the brush bar from the direct drive cleaner head or mini motorised tool, use a coin to unlock the fastener and slide the brush bar out of the cleaner head. Remove the obstruction. Replace the brush bar and secure it by tightening the fastener. Ensure that it is fixed firmly before operating the appliance.
- This product has carbon fibre brushes. Take care if coming into contact with them, as they may cause minor skin irritation. Wash your hands after handling the brushes.
- Refit all parts securely before using.
- Clearing blockages is not covered by your Dyson guarantee.

CHARGING AND STORING

- This appliance will switch 'OFF' if the battery temperature is below 3°C (37.4°F). This is designed to protect the motor and battery. Do not charge the appliance and then move it to an area with a temperature below 3°C (37.4°F) for storage purposes.
- To help prolong battery life, avoid recharging immediately after a full discharge. Allow to cool for a few minutes.
- Avoid using the appliance with the battery flush to a surface. This will help it run cooler and prolong battery run time and life.

BATTERY SAFETY INSTRUCTIONS

- If the battery needs replacing please contact the Dyson Customer Care Helpline.
- Use only Dyson chargers for charging this Dyson appliance.
- The battery is a sealed unit and under normal circumstances poses no safety concerns. In the unlikely event that liquid leaks from the battery do not touch the liquid and observe the following precautions:
 - Skin contact – can cause irritation. Wash with soap and water.
 - Inhalation – can cause respiratory irritation. Expose to fresh air and seek medical advice.
 - Eye contact – can cause irritation. Immediately flush eyes thoroughly with water for at least 15 minutes. Seek medical attention.
 - Disposal – wear gloves to handle the battery and dispose of immediately, following local ordinances or regulations.

CAUTION

The battery used in this device may present a risk of fire or chemical burn if mistreated. Do not disassemble, short contacts, heat above 60°C (140°F), or incinerate. Keep away from children. Do not disassemble and do not dispose of in fire.

ONLINE SUPPORT

- For online help, general tips, videos and useful information about Dyson.
AU - www.dyson.com.au/support
NZ - www.dyson.co.nz/support

DISPOSAL INFORMATION

Dyson products are made from high grade recyclable materials. Please dispose of this product responsibly and recycle where possible.

When your Dyson appliance reaches the end of its life, we are responsible for its safe disposal. You can send your old Dyson appliance back to us (at our cost) and we will organise for it to be recycled.*

*Please note that not all parts are recyclable. Recycling of parts is subject to the capabilities of 3rd party suppliers. Available in Australia only.

Simply:

1. Box up your old Dyson appliance.
2. Take the package to your local post office and send to the address below:

Dyson We Recycle
Reply Paid 83215
Dyson Service Centre
8–10 Mangrove Lane
Taren Point, NSW 2229

- The battery should be removed from the product before disposal.
- Recycle or dispose of the battery in accordance with local ordinances or regulations.
- Dispose of the exhausted filter unit in accordance with local ordinances or regulations.

DYSON CUSTOMER CARE

THANK YOU FOR CHOOSING TO BUY A DYSON APPLIANCE.

After registering your 2 year Dyson guarantee, your Dyson appliance will be covered for parts and labour for 2 years from the date of purchase, subject to the terms of the guarantee. If you have any questions about your Dyson appliance, call the Dyson Helpline with your serial number and details of where/when you bought the appliance. Most questions can be solved over the phone by one of our trained Dyson Helpline staff.

AUSTRALIAN CONSUMER LAW

In addition to your rights under the Dyson guarantee, we also provide the following statement as required by the Australian Consumer Law: In Australia, your Dyson appliance comes with statutory guarantees that cannot be excluded under the Australian Consumer Law. You are entitled to a replacement or refund for a major failure and for compensation for any other reasonably foreseeable loss or damage. You are also entitled to have your Dyson appliance repaired or replaced if it fails to be of acceptable quality and the failure does not amount to a major failure.

DYSON 2 YEAR GUARANTEE

TERMS AND CONDITIONS OF THE DYSON 2 YEAR GUARANTEE

WHAT IS COVERED

- The repair or replacement of your Dyson appliance (at Dyson's discretion) if it is found to be defective due to faulty materials, workmanship or function within 2 years of purchase or delivery (if any part is no longer available or out of manufacture Dyson will replace it with a functional replacement part).
- This Dyson guarantee will only be valid if the appliance is used in the country in which it was sold.

WHAT IS NOT COVERED

Under your Dyson guarantee, Dyson shall not be liable for costs of repair or replacement of a product incurred as a result of:

- Accidental damage, faults caused by negligent use or care, misuse, neglect, careless operation or handling of the Dyson appliance which is not in accordance with this Dyson Operating Manual.
- Use of the Dyson appliance for anything other than normal domestic purposes in the country of purchase.
- Use of parts not assembled or installed in accordance with the instructions of Dyson.
- Use of parts and accessories other than those produced or recommended by Dyson.
- Repairs or alterations carried out by parties other than Dyson or its authorised agents.
- Damage from external sources such as transit, weather, electrical outages or power surges.
- Failures caused by circumstances outside Dyson's control.
- Blockages – please refer to the illustrations and the section 'Looking for Blockages' in this Dyson Operating Manual for details of how to look for and clear blockages.
- Normal wear and tear (e.g. fuse, brush bar etc.).
- Use of this appliance on rubble, ash, plaster.
- Reduction in battery discharge time due to battery age or use (cordless machines only).
- If your Dyson guarantee does not apply, you may have statutory rights and remedies available to you as a consumer. If you are in any doubt as to what is covered by your Dyson guarantee, please call the Dyson Customer Care Helpline.

OTHER TERMS RELATING TO THE DYSON GUARANTEE

- The Dyson guarantee becomes effective from the date of purchase.
- All work will be carried out by Dyson Appliances (Aust.) Pty Limited, Avery Robinson Ltd. (NZ) or their authorised agents.
- Any parts replaced by Dyson or its service agents will become the property of Dyson Appliances (Aust.) Pty Limited or Avery Robinson Ltd. (NZ).
- You must provide proof of (both the original and any subsequent) delivery/purchase before any work can be carried out on your Dyson appliance. Without this proof, any work carried out pursuant to the Dyson guarantee and any associated delivery charges (both to and from us) will be at your cost, subject to your statutory rights and remedies as a consumer. Please keep your receipt or delivery note.

ABOUT YOUR PRIVACY

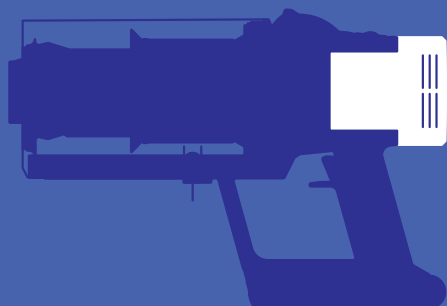
WHEN REGISTERING YOUR DYSON PRODUCT

- You will need to provide us with basic contact information to register your product and enable us to support your Dyson guarantee.
- When you register, you will have the opportunity to choose whether you would like to receive communications from us. If you opt-in to communications from Dyson, we will send you details of special offers and news of our latest innovations. We never sell your information to third parties and only use information that you share with us as defined by our privacy policies which are available on our website privacy.dyson.com

IMPORTANT!

Wash the filter unit

Wash the filter unit with cold water at least every month.
Ensure that the filter unit is completely dry before refitting.



DYSON CUSTOMER CARE

Your Dyson appliance will be covered for parts and labour for 2 years from the date of purchase, as detailed in the terms of the Dyson guarantee in this Dyson Operating Manual.

If you have a query about your Dyson appliance, contact us via the website. Alternatively, call the Dyson Customer Care Helpline quoting your serial number and details of where and when you bought the appliance.

Most queries can be solved over the phone by one of our Dyson Customer Care Helpline staff.

DYSON CUSTOMER CARE

Australia

Website: www.dyson.com.au

Email: aucustomer@dyson.com
Dyson Customer Care: 1800 239 766
(Mon-Fri 8:00am to 6:00pm EST,
Sat-Sun 8:30am to 4:00pm EST).

Address: Dyson Appliances (Aust.) Pty
Limited, PO Box 2835, Taren Point,
NSW 2229 Australia.

New Zealand

Website: www.dyson.co.nz

Email: dyson@averyrobinson.co.nz
Dyson Customer Care: 0800 397 667
(Mon-Fri 8:30am to 5:00pm).

Address: Avery Robinson Ltd., Unit 6,
99 Carbine Road, Mount Wellington,
Auckland, 1060, New Zealand.





GUARANTEE FORM

Date of purchase / /

Country of purchase Australia New Zealand

Serial number

Title Surname

First name

Address

Postcode

Email

Telephone Mobile

Store of purchase

Privacy statement

By providing the above information, you consent to Dyson using that information (including disclosing it to third parties such as our business partners or professional advisers) for the purposes of providing the services you have requested. With your consent, Dyson may also use the information you provide for future marketing and research purposes (including sending commercial electronic messages). If you consent to this use, please tick the relevant boxes below.

If you wish to access your personal information please contact us at aucustomercare@dyson.com.

As a Dyson appliance owner, you can hear about Dyson inventions, services and products before anyone else. If it's okay to contact you, please let us know how we may do this.

We sometimes ask other companies (such as market researchers) to contact owners on our behalf. We do this to get feedback on ideas or ask you to try new products and services. Would this be okay?

By mail Yes No
By phone Yes No
By email Yes No
By text message Yes No

Yes No

3 EASY WAYS TO REGISTER YOUR DYSON 2 YEAR GUARANTEE

REGISTER ONLINE



Visit our website to register your Dyson full parts and labour guarantee online.

AU: www.dyson.com.au/register
NZ: www.dyson.co.nz/register

REGISTER BY PHONE



Call our dedicated Helpline.

AU 1800 239 766
NZ 0800 397 667

REGISTER BY MAIL



Complete and return the form to Dyson in the envelope supplied.

